

# QFM4-50000-75000-14

## 50~75GHz, 14dBm

**Features:**

- \* Broadband
- \* Low Power Consumption

**Applications:**

- \* Wireless
- \* Transmitter
- \* Laboratory Test

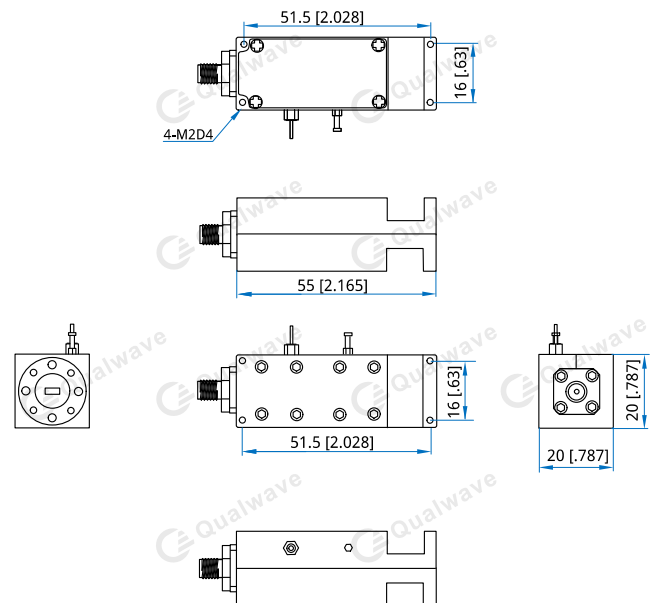
**Electrical**

Input Frequency:	12.5~18.75GHz
Output Frequency:	50~75GHz
Input Power:	0dBm typ. 5dBm max.
Output Power:	14dBm min.
Multiple Ratio:	4
Voltage:	+6V DC
Current:	300mA max.
Impedance:	50Ω

**Mechanical**

Size <sup>*1</sup> :	55*20*20mm 2.165*0.787*0.787in
RF In Connectors:	SMA Female
RF Out Connectors:	WR-15 (BJ620)
Flange:	UG-385/U
Mounting:	4-M2mm Depth 4

[1] Exclude connectors.

**Outline Drawings**


Unit: mm [in]

Tolerance: ±0.2mm [±0.008in]

**How To Order**

**QFM4-50000-75000-14**

Customization is available upon request.