

QFM6-75000-110000-10

75~110GHz, 10dBm

Features:

- * Broadband
- * Low Power Consumption

Applications:

- * Wireless
- * Transmitter
- * Laboratory Test

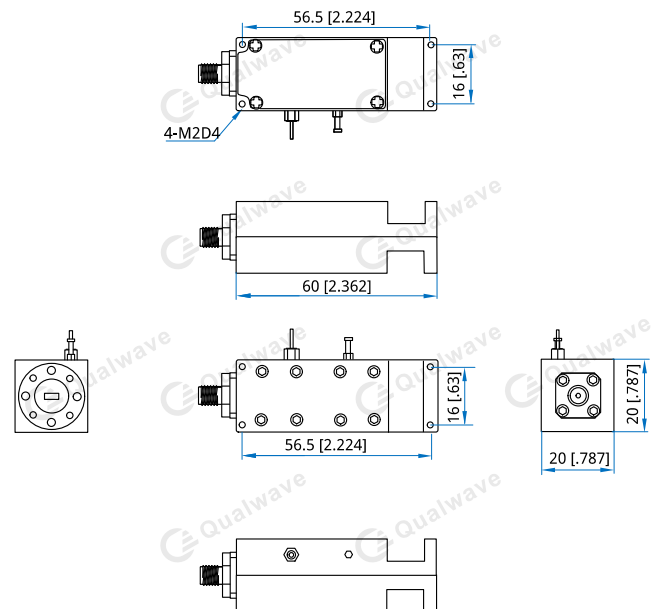
Electrical

| | |
|-------------------|-------------------------|
| Input Frequency: | 12.5~18.33GHz |
| Output Frequency: | 75~110GHz |
| Input Power: | 8dBm typ. 15dBm max. |
| Output Power: | 10dBm min. |
| Multiple Ratio: | 6 |
| Voltage: | +6V DC |
| Current: | 300mA max. |
| Impedance: | 50Ω |

Mechanical

| | |
|----------------------|-----------------------------------|
| Size ^{*1} : | 60*20*20mm 2.362*0.787*0.787in |
| RF In Connectors: | SMA Female |
| RF Out Connectors: | WR-10 (BJ900) |
| Flange: | UG-387/U |
| Mounting: | 4-M2mm Depth 4 |

[1] Exclude connectors.

Outline Drawings


Unit: mm [in]

Tolerance: ±0.2mm [±0.008in]

How To Order

QFM6-75000-110000-10

Customization is available upon request.