

# QCFT3 Feedthrough

Features:  
\* Low VSWR

Applications:  
\* Wireless  
\* Radar  
\* Instruments  
\* Electronics

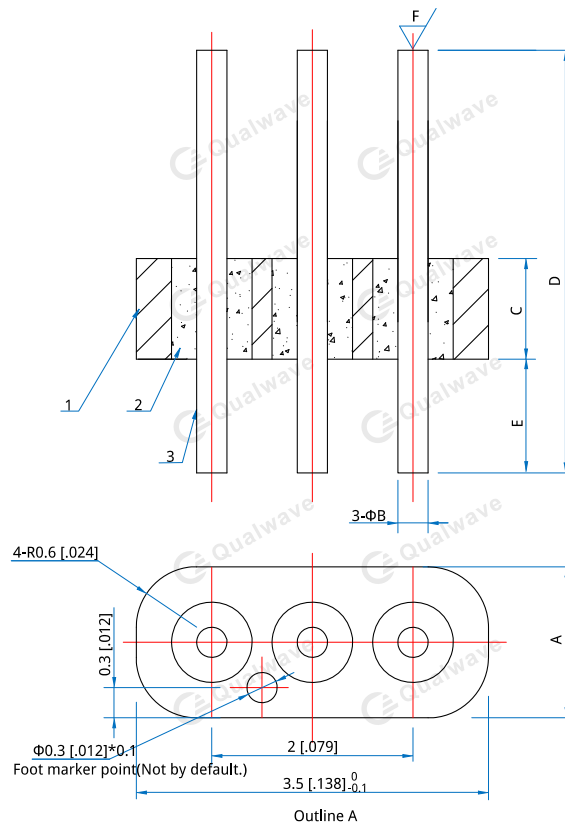
### Specifications

Part Number	Frequency (GHz)	A mm [inch]	B mm [inch]	C mm [inch]	D mm [inch]	E mm [inch]	F mm [inch]
QCFT3-030-2	-	1.5 [0.059]±0.05	0.3 [0.012]±0.03	1 [0.039]+0.02/-0.05	4.2 [0.165]-0.1	1.2 [0.047]±0.1	0.8 [0.031]
QCFT3-030-4	-	1.5 [0.059]±0.05	0.3 [0.012]±0.03	1 [0.039]-0.03	6.5 [0.256]±0.05	4 [0.157]	0.8 [0.031]

### Electrical

Part Number	Voltage Withstand (V)	Impedance of Dielectric (MΩ min.)	Seal (Pa · cm <sup>3</sup> /s)	Material 1, 3	Material 2	Finish 1, 3
QCFT3-030-2	500	1000	1X10 <sup>-3</sup>	4J29	BH-G/K (green)	Nickeling 2µm/gold-plating 1.27µm
QCFT3-030-4	250	1000	1X10 <sup>-9</sup>	4J29	BH-G/K (green)	Nickeling 2.54~8.9µm/gold-plating 1.27µm min.

### Outline Drawings



Unit: mm [inch]      Tolerance: ±0.05mm [±0.002in]