

# QLAS-1000-18000-45-20

1~18GHz, 45dB, 2.0dB

Features:  
 \* Broadband  
 \* Low Noise

Applications:  
 \* Wireless  
 \* Receiver  
 \* Laboratory Test  
 \* Radar



## Electrical

Frequency:	1~18GHz
Gain:	45dB typ.
Gain Flatness:	±2dB typ.
Output Power (P1dB):	19dBm typ.
Noise Figure:	2.0dB typ.
Spurious:	-60dBc max.
VSWR:	2 typ.
Voltage:	+85~+265V AC
Current:	200mA typ.
Impedance:	50Ω

## Absolute Maximum Ratings\*1

RF Input Power: -25dBm

[1] Permanent damage may occur if any of these limits are exceeded.

## Mechanical

Size\*2: 136\*186\*52mm  
 5.354\*7.323\*2.047in

RF Connectors: SMA Female

[2] Exclude connectors, rack mount brackets, handles.

## Environmental

Operating Temperature: -20~+50

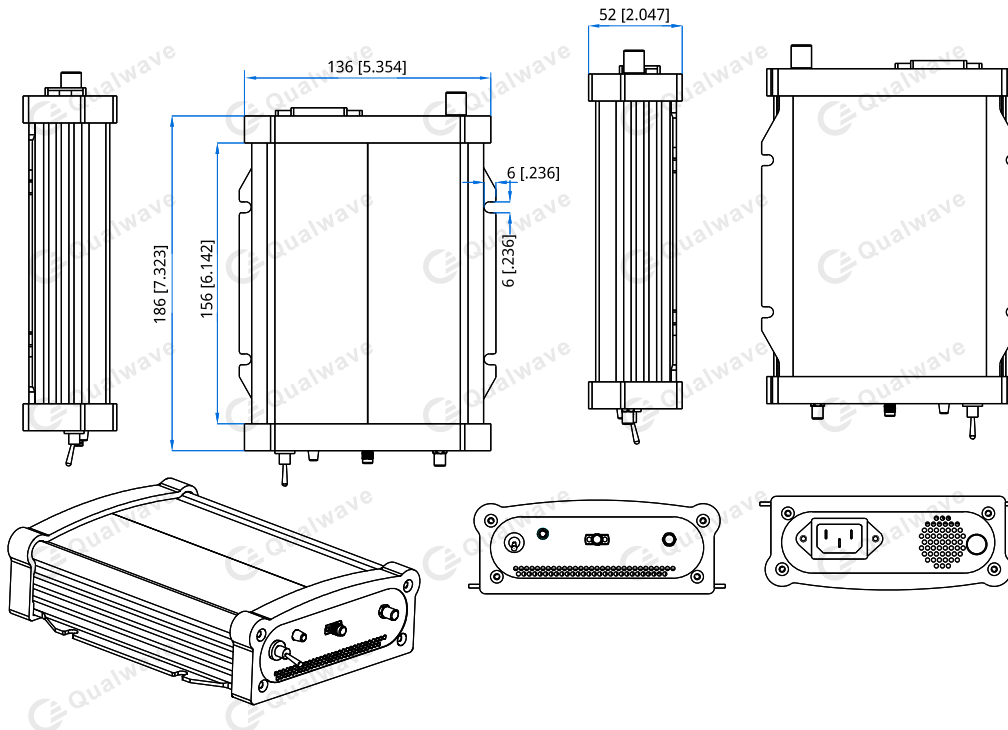
Non-operating Temperature: -40~+85

## How To Order

[QLAS-1000-18000-45-20](#)

Customization is available upon request.

## Outline Drawings



Unit: mm [in]

Tolerance: ±0.5mm [±0.02in]