

QWT2.2-R5

WR-2.2, 0.5W

Features:
 * Low VSWR
 * Broadband

Applications:
 * Transmitters
 * Antennas
 * Laboratory Test
 * Impedance Matching

Electrical

Frequency: 325~500GHz
 Average Power 0.5W max.
 VSWR: 1.14 max.

Mechanical

Interface: WR-2.2

Environmental

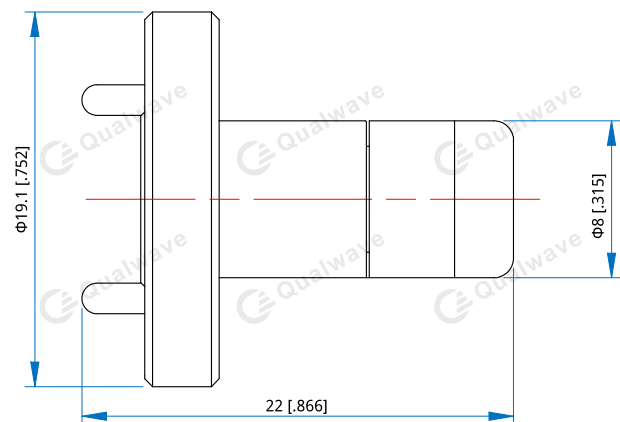
Operation Temperature: 0~+40°C
 No-Operation Temperature: -40~+70°C

How To Order

QWT2.2-R5

Customization is available upon request.

Outline Drawings



Unit: mm [in]

Tolerance: $\pm 0.5\text{mm}$ [$\pm 0.02\text{in}$]