

## QWT3-R5

### WR-3, 0.5W

Features:  
 \* Low VSWR  
 \* Broadband

Applications:  
 \* Transmitters  
 \* Antennas  
 \* Laboratory Test  
 \* Impedance Matching

#### Electrical

Frequency: 220~325GHz  
 Average Power 0.5W max.  
 VSWR: 1.1 max.

#### Mechanical

Interface: WR-3

#### Environmental

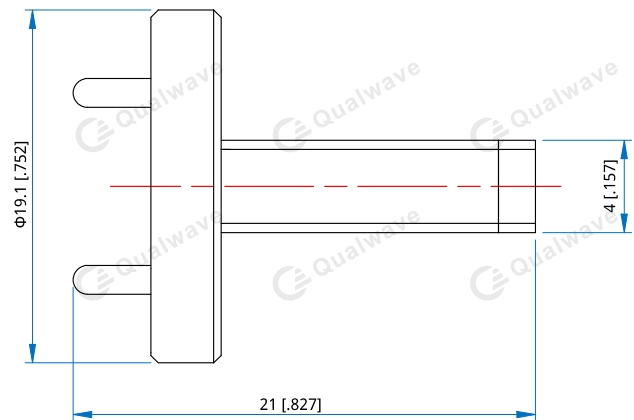
Operation Temperature: 0~+40°C  
 No-Operation Temperature: -40~+70°C

#### How To Order

**QWT3-R5**

Customization is available upon request.

#### Outline Drawings



Unit: mm [in]

Tolerance:  $\pm 0.5$ mm [ $\pm 0.02$ in]