

QPDO-E-10-2.75

External Reference, 10MHz, 2.75GHz

Features:

- * High Frequency Stability
- * Ultra Low Phase Noise

Applications:

- * Wireless
- * Transceiver
- * Laboratory Test
- * Radar

Electrical

Output Frequency:	2.75GHz
Output Power:	5dBm min.
External Reference:	10MHz
Reference Input Power:	0±3dBm
Output Phase Noise:	-95dBc/Hz max. @100Hz -120dBc/Hz max. @1KHz -120dBc/Hz max. @10KHz -120dBc/Hz max. @100KHz -140dBc/Hz max. @1MHz
Output Spurious:	-75dBc max.
Output Harmonic:	-20dBc max.
Voltage:	+12V
Current:	700mA max. (first) 550mA max. (stable)
Lock Indicator (LI):	TTL logic High: locked Low: unlocked

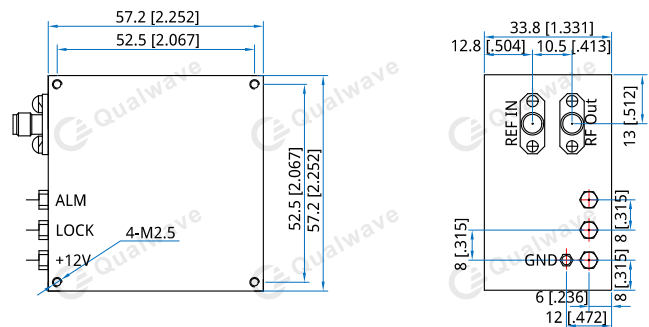
Mechanical

Size*1:	57.2*57.2*33.8mm 2.252*2.252*1.331in
RF Connectors:	SMA Female
Power Supply Interface:	Feed Through/Terminal Post
Mounting:	4-M2.5mm through-hole

Environmental

Operating Temperature:	-40~+75°C
Non-operating Temperature:	-55~+85°C

Outline Drawings



Unit: mm [in]
Tolerance: ±0.2mm [±0.008in]

How To Order

QPDO-E-10-2.75

Customization is available upon request.