

# QPA-1-200-40-40

## 1~200MHz, 40dB, 40dBm

**Features:**

- \* Small Size
- \* Low Power Consumption

**Applications:**

- \* Wireless
- \* Transmitter
- \* Laboratory Test

**Electrical**

Frequency:	1~200MHz
Gain:	40dB min.
Gain Flatness:	1±1dB max.
Input VSWR:	1.7 max.
Output Power (P1dB):	40dBm min.
Input Power:	1±1dBm +5dBm max.
Spurious:	-65dBc max.
Harmonic:	-10dBc max.
Voltage:	28V/6A VCC
Current:	3A max.
Impedance:	50Ω

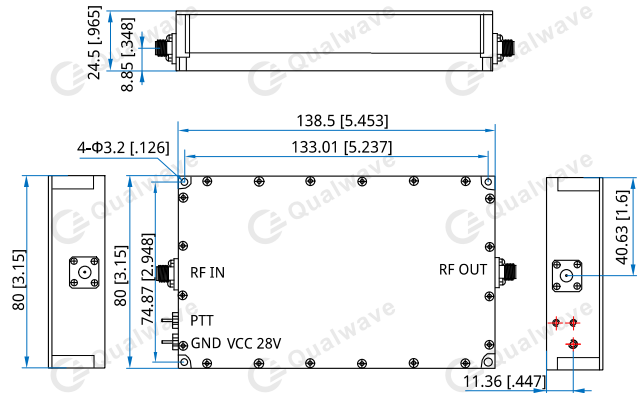
**Mechanical**

Size*1:	138.5*80*24.5mm 5.453*3.15*0.965in
RF In Connectors:	SMA Female
RF Out Connectors:	SMA Female
Mounting:	4-Φ3.2mm through-hole
Power Supply Interface:	Feed Through/Terminal Post

[1] Exclude connectors.

**Environmental**

Operating Temperature:	-25~+55°C
------------------------	-----------

**Outline Drawings**


Unit: mm [in]

Tolerance: ±0.5mm [±0.02in]

**How To Order**
**QPA-1-200-40-40**

Customization is available upon request.