

QPA-1000-8000-17-30S-F

1~8GHz, 17dB, 30dBm

Features:

- * Small Size
- * Low Power Consumption

Applications:

- * Wireless
- * Transmitter
- * Laboratory Test

Electrical

| | |
|----------------------|--------------|
| Frequency: | 1~8GHz |
| Gain: | 17dB min. |
| Output Power (P1dB): | +29dBm min. |
| Output Power (Psat): | +30dBm min. |
| Input VSWR: | 1.6 typ. |
| Output VSWR: | 1.8 typ. |
| Voltage: | +12V DC typ. |
| Current: | 450mA typ. |
| Impedance: | 50Ω |

Absolute Maximum Ratings^{*1}

RF Input Power: +20dBm typ.

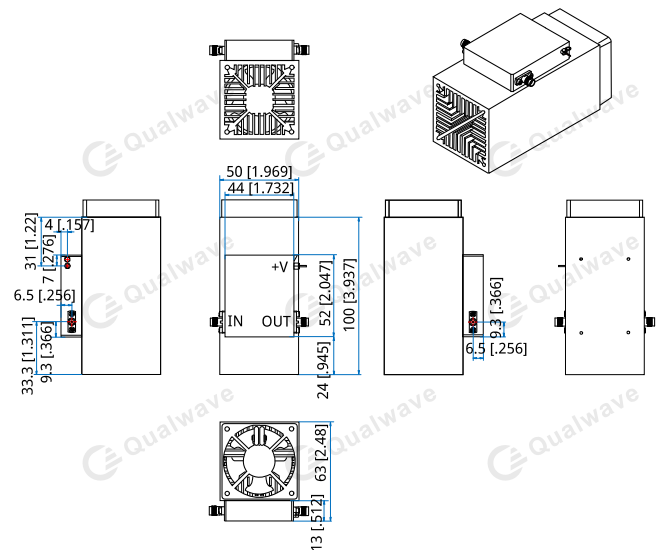
[1] Permanent damage may occur if any of these limits are exceeded.

Mechanical

Size^{*2}: 50*100*63mm
1.969*3.937*2.48in

RF Connectors: SMA Female

[2] Exclude connectors and fan.

Outline Drawings


Unit: mm [in]

Tolerance: ±0.2mm [±0.008in]

How To Order

QPA-1000-8000-17-30S-F

Customization is available upon request.