

QPA-30-800-44-44.8S

30~800MHz, 44dB, 44.8dBm

Features:

- * Small Size
- * Low Power Consumption

Applications:

- * Wireless
- * Transmitter
- * Laboratory Test

Electrical

Frequency:	30~800MHz
Gain:	44dB min.
Gain Flatness:	4±1dB max.
Input VSWR:	1.8 max.
Output Power (Psat):	44.8dBm min.
Input Power:	3dBm max.
Maximum Input Power:	+6dBm
Spurious:	-65dBc max.
Harmonic:	-10dBc max.
Voltage:	28V/6A (Reference) +31V max.
Current:	4.5A max.
PTT:	+3.3~5V (On)
Protection Function:	80°C protection

Mechanical

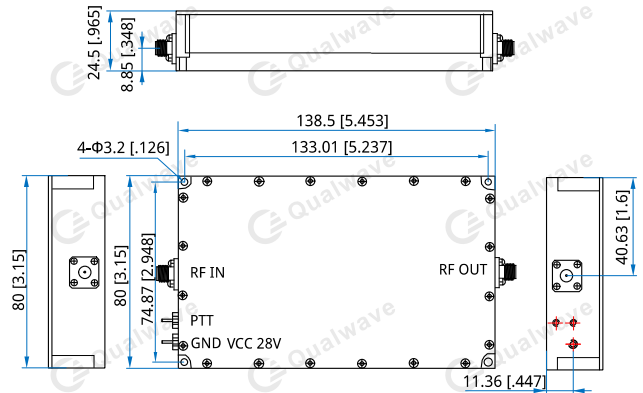
Size*1:	138.5*80*24.5mm 5.453*3.15*0.965in
RF Connectors:	SMA Female
Power Supply Interface*2:	Feed Through/Terminal Post
Mounting:	4-Φ3.2mm through-hole

[1] Exclude connectors.

[2] Install heat sink during testing.

Environmental

Operating Temperature:	-25~+55°C
------------------------	-----------

Outline Drawings


Unit: mm [in]

Tolerance: ±0.5mm [±0.02in]

How To Order

QPA-30-800-44-44.8S

Customization is available upon request.