

QRC8-4000-8000-K4-A8S

8-Way, 4~8GHz, 400W

Features:

- * Small Size
- * Low Insertion Loss
- * High Reliability

Applications:

- * Radar System
- * Communication System
- * Power Amplifier System
- * Test System

Electrical

Frequency:	4~8GHz
Insertion Loss:	0.7dB max. (Average)
VSWR:	1.6 max.
Amplitude Balance:	±0.5dB max.
Phase Balance:	±8° max.
Impedance:	50Ω
Power @SUM Port:	400W CW as combiner

Mechanical

Size*1:	98*98*90mm 3.858*3.858*3.543in
Connectors:	SMA female 24JS3500

[1] Exclude connectors.

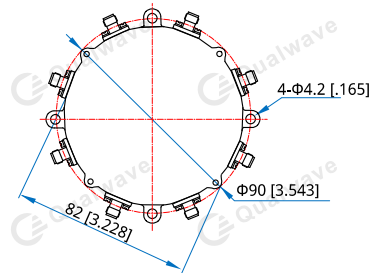
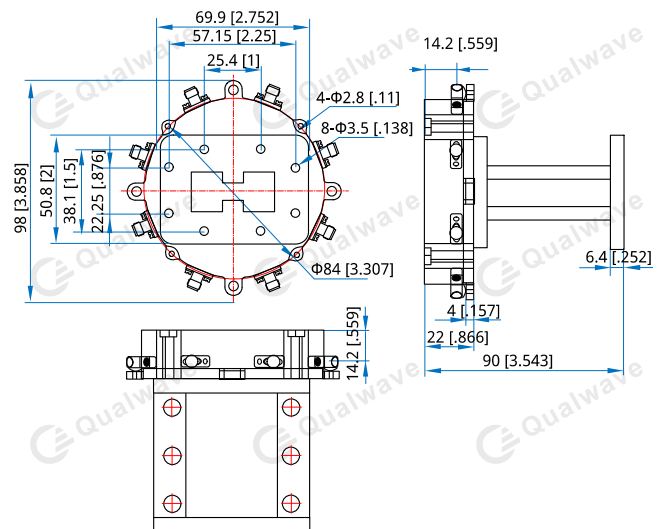
Environmental

Operating Temperature: -55~+85°C

How To Order

QRC8-4000-8000-K4-A8S

Customization is available upon request.

Outline Drawings


Unit: mm [in]

Tolerance: ±0.2mm [±0.008in]