

QSDC-10000-13000-30-20-S

10~13GHz, 30W

Features:

- * Broadband
- * Low Insertion Loss

Applications:

- * Amplifiers
- * Transmitter
- * Laboratory Test
- * Radar

Electrical

Frequency:	10~13GHz
Insertion Loss:	0.4dB max.
Coupling:	20±1dB
Directivity:	12dB min.
VSWR (Mainline):	1.35 max.
VSWR (Coupling):	1.35 max.
Average Power:	30W
Impedance:	50Ω

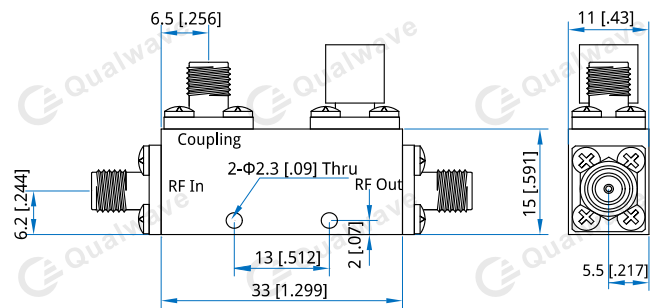
Mechanical

Size ^{*1} :	33*15*11mm 1.299*0.591*0.43in
Connectors:	SMA Female
Mounting:	2-Φ2.3mm through-hole

[1] Exclude connectors

Environmental

Operation Temperature:	-45~+85°C
------------------------	-----------

Outline Drawings


Unit: mm [in]

Tolerance: ±0.3mm [±0.012in]

How To Order

QSDC-10000-13000-30-20-S

Customization is available upon request.