

## QSDC-18000-67000-12

### 18~67GHz, 12W

Features:  
 \* Broadband  
 \* Low Insertion Loss

Applications:  
 \* Amplifiers  
 \* Transmitter  
 \* Laboratory Test  
 \* Radar

#### Electrical

Frequency:	18~67GHz
Directivity:	7dB min.
Impedance:	50Ω
Average Power:	12W CW max.
Peak Power:	1000W max.

Coupling (dB)	Insertion Loss (dB max.)	VSWR (max.)	Coupling Flatness (±dB max.)
10±1	2.5	1.9	1
13±1	2.3	1.9	1
16±1	2.2	1.9	1
20±1	2.0	1.9	1.1
30±1.1	2.0	1.9	1.2

#### Mechanical

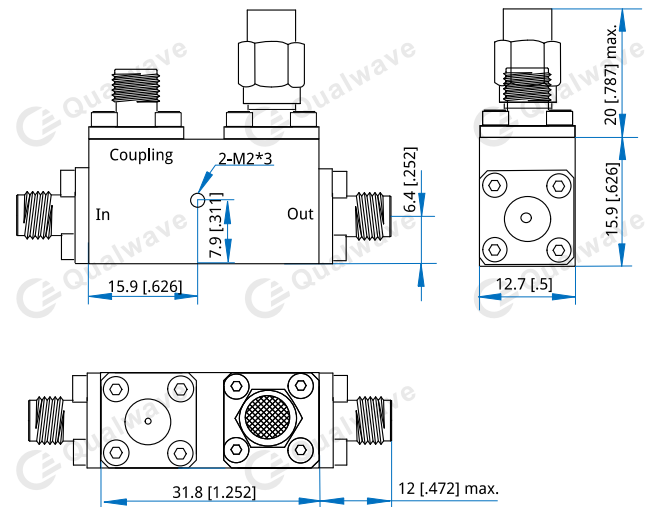
Size*1:	31.8*15.9*12.7mm 1.252*0.626*0.5in
Connectors:	1.85mm Female
Mounting:	2-M2*3

[1] Exclude connectors and terminations.

#### Environmental

Operation Temperature:	-55~+85°C
Non-operation Temperature:	-55~+100°C

#### Outline Drawings



Unit: mm [in]

Tolerance: .xx±0.5mm [±0.02in], .xxx±0.1mm [±0.004in]

#### How To Order

**QSDC-18000-67000-12-X-Y**

X: Coupling (10, 13, 16, 20, 30dB)

Y: Connector type

Connector naming rules:

V - 1.85mm Female

Examples:

To order a single directional coupler, 18~67GHz, 12W, 20dB, 1.85mm Female, specify QSDC-18000-67000-12-20-V.

Customization is available upon request.