

QSDC-2000-6000-50-30-S

2~6GHz, 50W, 30dB

Features:
 * Broadband
 * Low Insertion Loss

Applications:
 * Amplifiers
 * Transmitter
 * Laboratory Test
 * Radar

Electrical

Frequency:	2~6GHz
Insertion Loss:	0.5dB max.
VSWR(Main line):	1.3 max.
VSWR (Coupling):	1.3 max.
Directivity:	15dB min.
Coupling:	30±1.2dB
Impedance:	50Ω
Average Power:	50W

Mechanical

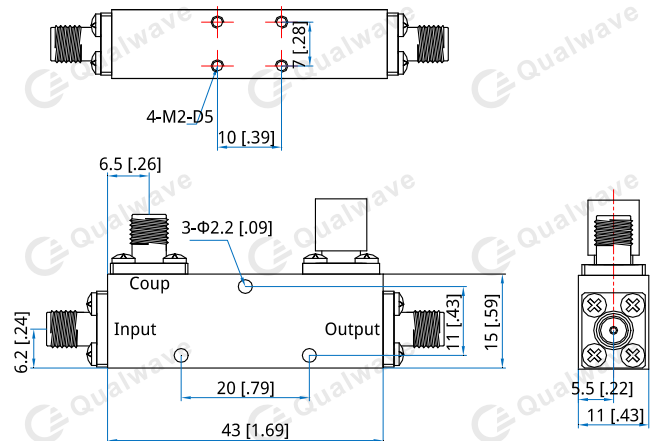
Size ^{*1} :	43*15*11mm 1.69*0.59*0.43in
Connectors:	SMA Female
Mounting:	3-Φ2.2mm through-hole 4-M2, depth 5mm

[1] Exclude connectors and terminations.

Environmental

Temperature:	-35~+75°C
--------------	-----------

Outline Drawings



Unit: mm [in]
 Tolerance: ±0.3mm [±0.012in]

How To Order

[QSDC-2000-6000-50-30-S](#)

Customization is available upon request.