

QSDC-2000-67000-12-20-V

2~67GHz, 12W

Features:
 * Broadband
 * Low Insertion Loss

Applications:
 * Amplifiers
 * Transmitter
 * Laboratory Test
 * Radar

Electrical

Frequency: 2~67GHz
 Directivity: 7dB min.
 Impedance: 50Ω
 Average Power: 12W max.
 Peak Power: 1000W max.

Coupling (dB)	Insertion Loss (dB max.)	VSWR (max.)	Coupling Flatness (±dB max.)
20±1.3	2.8	1.9	1.3

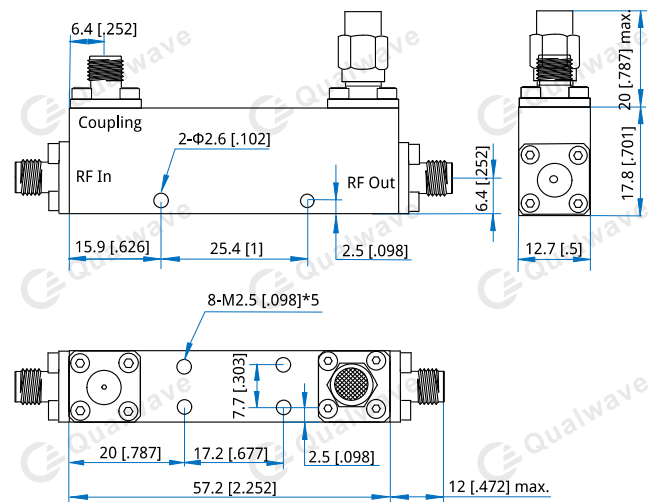
Mechanical

RF Connectors: 1.85mm Female
 Coupling Connectors: 1.85mm Female
 Mounting: 2-Φ2.6mm through-hole

Environmental

Operation Temperature: -55~+85°C
 Non-operation Temperature: -55~+100°C

Outline Drawings



Unit: mm [in]

Tolerance: .x±0.5mm [±0.02in], .xx±0.1mm [±0.004in]

How To Order

[QSDC-2000-67000-12-20-V](#)

Customization is available upon request.