

## QSDC-2000-8000-K12

### 2~8GHz, 120W

Features:  
 \* Broadband  
 \* Low Insertion Loss

Applications:  
 \* Amplifiers  
 \* Transmitter  
 \* Laboratory Test  
 \* Radar

#### Electrical

Frequency: 2~8GHz  
 Directivity: 18dB min.  
 Impedance: 50Ω  
 Average Power: 120W max.  
 Peak Power: 3000W max.

Coupling (dB)	Insertion Loss (dB max.)	VSWR (max.)	Coupling Flatness (±dB max.)
30±0.8	0.5	1.3	0.5
40±0.8	0.5	1.3	0.5

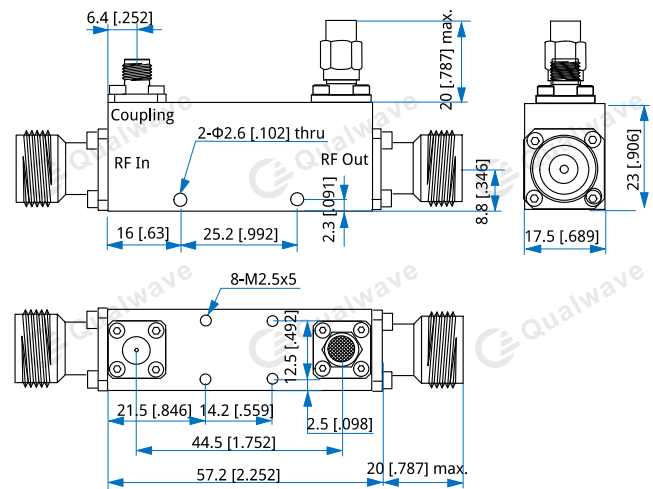
#### Mechanical

RF Connectors: N Female  
 Coupling Connectors: SMA Female  
 Mounting: 2-Φ2.6mm through-hole

#### Environmental

Operation Temperature: -55~+85°C  
 Non-operation Temperature: -55~+100°C

#### Outline Drawings



Unit: mm [in]

Tolerance: .x±0.5mm [±0.02in], .xx±0.1mm [±0.004in]

#### How To Order

**QSDC-2000-8000-K12-X-Y**

X: Coupling (30, 40dB)

Y: Connector type

Connector naming rules:

NS - N female & SMA female

Examples:

To order a single directional coupler, 2~8GHz, 120W, 30dB, N female & SMA female, specify QSDC-2000-8000-K12-30-NS.

Customization is available upon request.