

QSDC-6000-50000-20

6~50GHz, 20W

Features:
 * Broadband
 * Low Insertion Loss

Applications:
 * Amplifiers
 * Transmitter
 * Laboratory Test
 * Radar

Electrical

Frequency:	6~50GHz
Directivity:	8dB min. 10dB min. @20dB
Impedance:	50Ω
Average Power:	20W max.
Peak Power:	1000W max.

Coupling (dB)	Insertion Loss (dB max.)	VSWR (max.)	Coupling Flatness (±dB max.)
10±0.8	1.9	1.8	0.8
13±0.8	1.7	1.8	0.8
16±0.8	1.6	1.8	0.8
20±1.2	1.2	1.8	1.0
30±0.8	1.5	1.8	1.0

Mechanical

Connectors: 2.4mm Female

Environmental

Operation Temperature: -40~+85°C
 Non-operation Temperature: -55~+100°C

How To Order

QSDC-6000-50000-20-X-Y

X: Coupling (10, 13, 16, 20, 30dB)

Y: Connector type

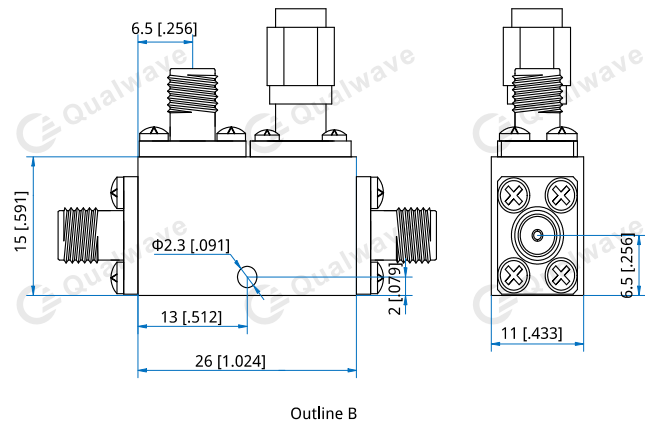
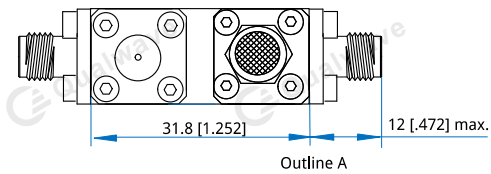
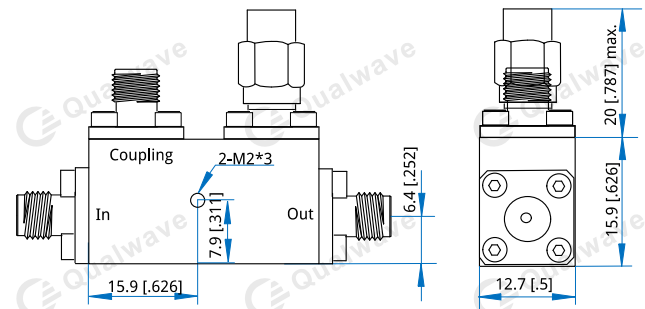
Connector naming rules:
 2 - 2.4mm female

Examples:

To order a single directional coupler, 6~50GHz, 20W, 30dB, 2.4mm female, specify QSDC-6000-50000-20-30-2.

Customization is available upon request.

Outline Drawings



Unit: mm [in]

Tolerance: .xx±0.5mm [±0.02in], .xx±0.1mm [±0.004in]