

QSDC-6000-67000-12

6~67GHz, 12W

Features:
 * Broadband
 * Low Insertion Loss

Applications:
 * Amplifiers
 * Transmitter
 * Laboratory Test
 * Radar

Electrical

Frequency:	6~67GHz
Directivity:	7dB min.
Impedance:	50Ω
Average Power:	12W max.
Peak Power:	1000W max.

Coupling (dB)	Insertion Loss (dB max.)	VSWR (max.)	Coupling Flatness (±dB max.)
10±1.1	2.5	1.9	1.1
13±1.1	2.3	1.9	1.1
16±1.1	2.2	1.9	1.1
20±1.1	2.0	1.9	1.2
30±1.2	2.0	1.9	1.3

Mechanical

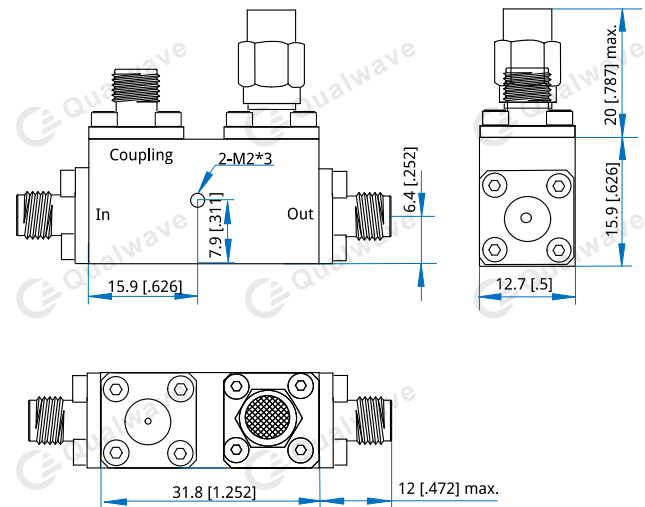
Size*1:	31.8*15.9*12.7mm 1.252*0.626*0.5in
Connectors:	1.85mm Female
Mounting:	2-M2*3

[1] Exclude connectors and terminations.

Environmental

Operation Temperature:	-55~+85°C
Non-operation Temperature:	-55~+100°C

Outline Drawings



Unit: mm [in]

Tolerance: .xx±0.5mm [±0.02in], .xxx±0.1mm [±0.004in]

How To Order

QSDC-6000-67000-12-X-Y

X: Coupling (10, 13, 16, 20, 30dB)

Y: Connector type

Connector naming rules:

V - 1.85mm female

Examples:

To order a single directional coupler, 6~67GHz, 12W, 30dB, 1.85mm female, specify QSDC-6000-67000-12-30-V.

Customization is available upon request.