

# QPS2-0.009-20000-A

## SPDT, 9K~20GHz, Absorptive

**Features:**

- \* Low Insertion Loss
- \* High Isolation

**Applications:**

- \* Wireless
- \* Transmitter
- \* Laboratory Test
- \* Radar

**Electrical**

Frequency:	9K~20GHz
Insertion Loss:	5dB max.
Isolation:	60dB min.
VSWR:	2 max.
Input Power:	27dBm max.
Voltage/Current:	+5V @25mA max.
Control:	TTL High - 1
	TTL Low/NC - 0

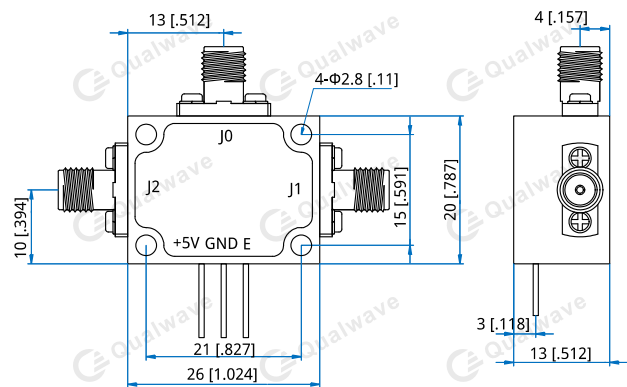
**Mechanical**

Size*1:	26*20*13mm 1.024*0.787*0.512in
Switching Time:	20nS max.
RF Connectors:	SMA Female
Power Supply Connectors:	Feed Through/Terminal Post
Mounting:	4-Φ2.8mm through-hole

[1] Exclude connectors.

**Environmental**

Operating Temperature:	-40~+85°C
Non-operating Temperature:	-55~+125°C

**Outline Drawings**


Unit: mm [in]

Tolerance: ±0.2mm [±0.008in]

**Control True Table**

E1	Connection
0	J0 - J1 On
1	J0 - J2 On

**How To Order**

**QPS2-0.009-20000-A**

Customization is available upon request.