

QVO-981-1664-6

0.981~1.664GHz, 6dBm

Features:
 * High Frequency Stability
 * Ultra Low Phase Noise

Applications:
 * Wireless
 * Transceiver
 * Laboratory Test
 * Radar

Electrical

Output Frequency:	0.981~1.664GHz
Tuning Voltage:	0~+18V
Phase Noise:	-78dBc/Hz @1KHz max. -105dBc/Hz @10KHz max. -125dBc/Hz @100KHz max. -143dBc/Hz @1MHz max.
Output Power:	6dBm min.
Harmonic:	-10dBc typ.
Spurious:	-70dBc max.
Voltage:	+12V VCC
Current:	160mA max.

Mechanical

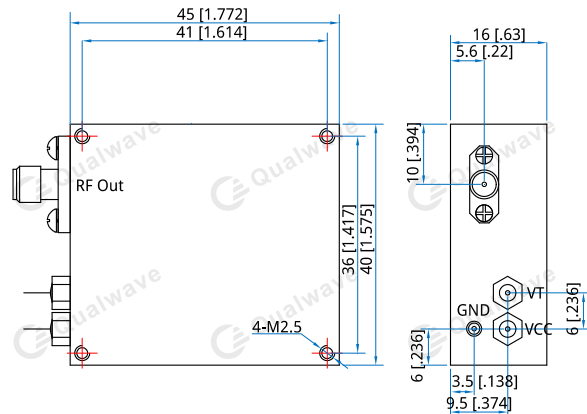
Size ^{*1} :	45*40*16mm 1.772*1.575*0.63in
RF Connectors:	SMA Female
Power Supply & Control Interface:	Feed Through/Terminal Post
Mounting:	4-M2.5mm through-hole

[1] Exclude connectors.

Environmental

Operating Temperature:	-40~+75°C
Non-operating Temperature:	-55~+85°C

Outline Drawings



Unit: mm [in]
 Tolerance: ±0.5mm [±0.02in]

How To Order

QVO-981-1664-6

Customization is available upon request.