

QWSD-62

DPDT, 12.4~18GHz, WR-62

Features:
 * Low VSWR
 * High Isolation
 * Low Insertion Loss

Applications:
 * Wireless
 * Transmitter
 * Laboratory Test
 * Radar

Electrical

Frequency: 12.4~18GHz
 Insertion Loss: 0.1dB max.
 VSWR: 1.1 max.
 Isolation: 60dB min.
 Voltage: 24±2V DC
 current: 1.2A@24V DC

Mechanical

Interface: WR-62
 Operation Life: 0.1M Cycles
 Switching Time: 50mS

Environmental

Operating Temperature: -40~+85°C
 Extended Temperature: -55~+85°C
 Non-operating temperature: -55~+105°C

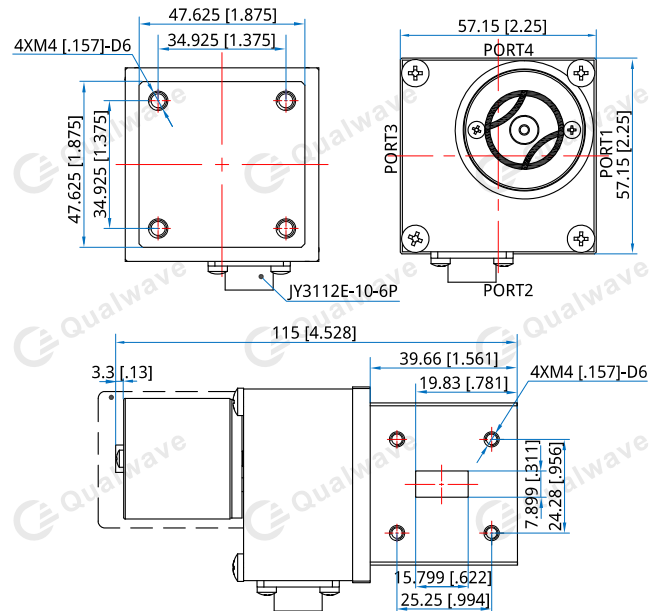
Pin Numbering

Pin	Function	Pin	Function
A	VDC	D	Indicator1
B	GND	E	COM(Indicator)
C	VDC	F	Indicator2

Control Logic

Position	A	B	C	RF Working Condition	Indicator status
POS 1	VDC	GND	NC	PORT1-PORT2 ON PORT3-PORT4 ON	D-E ON F-E OPEN
POS 2	NC	GND	VDC	PORT1-PORT4 ON PORT3-PORT2 ON	D-E OPEN F-E ON

Outline Drawings



Unit: mm [in]
 Tolerance: ±0.2mm [±0.008in]

Additional Options

TTL: T
 Indicators: I
 Extended Temperature: Z

How To Order

QWSD-62-XYZ
 X: Voltage. +15V: F, +24V: K.
 Y: Interface Circular connector: 2.
 Z: Additional Options.

Examples:
 To order a Waveguide Switch, DPDT, WR-62, +24V, TTL, Indicators, specify QWSD-62-K2TI.

Customization is available upon request.

Driving Schematic Diagram

