

QWVA-112-B-2

WR-112, Brass, FDP84

Features:

- * Low VSWR
- * High Attenuation Flatness

Applications:

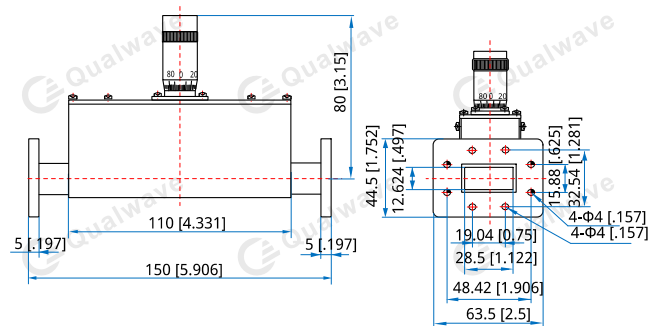
- * Wireless
- * Transmitter
- * Laboratory Test
- * Radar

Electrical

Frequency:	7~10GHz
VSWR:	1.2 max.
Attenuation:	0~30dB

Mechanical

Waveguide Size:	WR-112 (BJ84)
Flange:	FDP84
Material:	Brass

Outline Drawings


Unit: mm [in]

Tolerance: $\pm 0.5\text{mm}$ [$\pm 0.02\text{in}$]

How To Order

QWVA-112-B-2

Customization is available upon request.