

QPD2-0-40000-1-K

DC~40GHz, 1W

Features:

- * Small Size
- * Low Insertion Loss

Applications:

- * Amplifiers
- * Mixers
- * Antennas
- * Laboratory Test

Electrical

Frequency:	DC~40GHz
Insertion Loss ^{*1} :	2dB max.
VSWR:	1.5 max.
Impedance:	50Ω
Average Power:	1W

[1] Excluding theoretical loss 6.0dB.

Mechanical

Size ^{*2} :	29.38*25.98*8mm 1.157*1.023*0.315in
Connectors:	2.92mm Female (Removable)
Mounting:	3-Φ2.2mm through-hole

[2] Exclude connectors.

Environmental

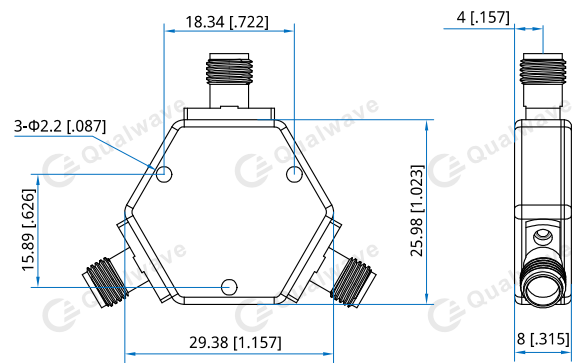
Operation Temperature: -35~+75°C

How To Order

QPD2-0-40000-1-K

Customization is available upon request.

Outline Drawings



Unit: mm [in]

Tolerance: ±0.5mm [±0.02in]