

QHC9-2000-3000-K6-N

2~3GHz, 600W

Features:
 * Broadband
 * High Power
 * Low Insertion Loss

Applications:
 * Amplifiers
 * Transmitter
 * Laboratory Test
 * Radar

Electrical

Frequency:	2~3GHz
Insertion Loss:	0.3dB max.
VSWR:	1.3 max.
Isolation:	18dB min.
Amplitude Balance:	±0.4dB max.
Phase Balance:	±5° max.
Impedance:	50Ω
Average Power:	600W CW

Mechanical

Size ^{*1} :	62*48*26mm 2.441*1.89*1.024in
Connectors:	N Female
Mounting:	4-Φ2.2mm through-hole

[1] Exclude connectors.

Environmental

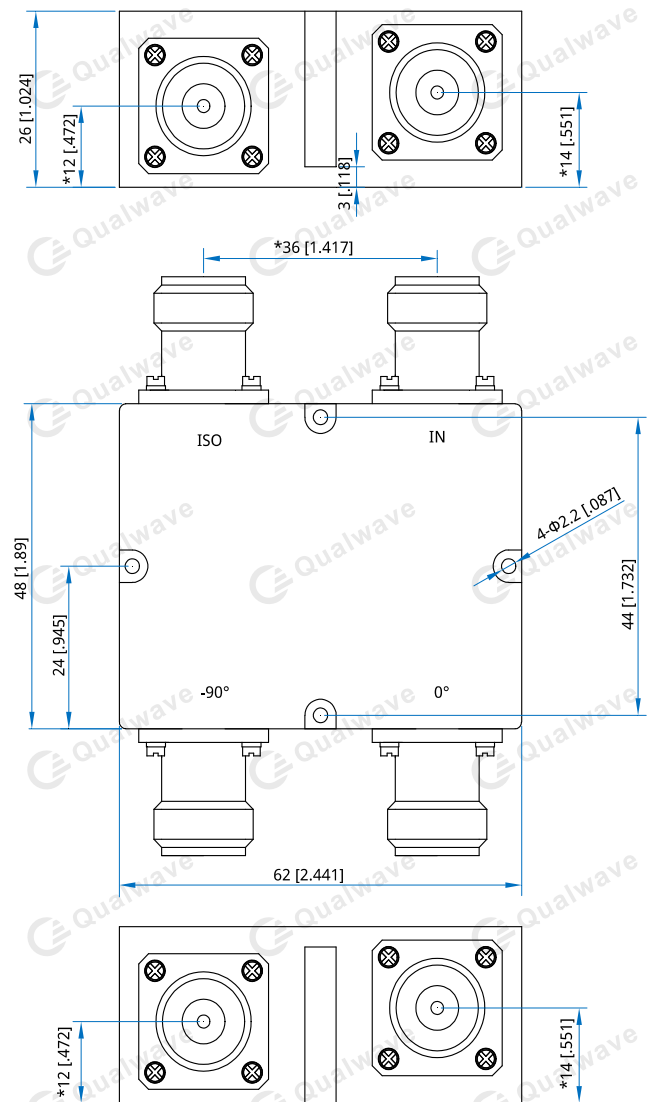
Operation Temperature: -55~+85°C

How To Order

QHC9-2000-3000-K6-N

Customization is available upon request.

Outline Drawings



Unit: mm [in]

Tolerance: ±0.2mm [±0.008in], *Ensure dimensions for design.