

QBT-10-50000

0.01~50GHz

Features:
* Broadband
* Small Size

Applications:
* Telecom
* Satcom
* Laboratory Test
* Instrumentation

Electrical

Frequency Range:	0.01~50GHz
Insertion Loss:	3dB max.
Isolation:	30dB typ.
VSWR:	2 max.
DC Voltage:	40V max.
DC Current:	0.5A max.
RF Input Power:	2W min.

Mechanical

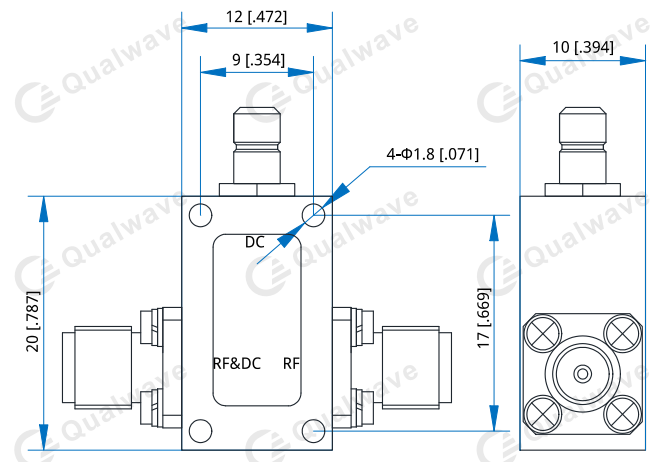
Size*1:	20*12*10mm 0.787*0.472*0.394in
Connectors:	2.4mm Female SMB Female
Mounting:	4- Φ 1.8mm through-hole

[1] Exclude connectors.

Environmental

Operating Temperature:	-55~+105°C
Non-operating Temperature:	-55~+125°C

Outline Drawings



Unit: mm [in]

Tolerance: ± 0.5 mm [± 0.02 in]

How To Order

QBT-10-50000

Customization is available upon request.