

## QCS-MRG-Z360-2

### SMA Male, Right Angle

Features:  
\* Low VSWR

Applications:  
\* Wireless  
\* Radar  
\* Instruments  
\* Electronics

#### Electrical

Frequency:	DC~18GHz
VSWR:	1.35 max.
Impedance of Dielectric:	5000MΩ min.
Voltage Withstand:	1000V DC min

#### Mechanical

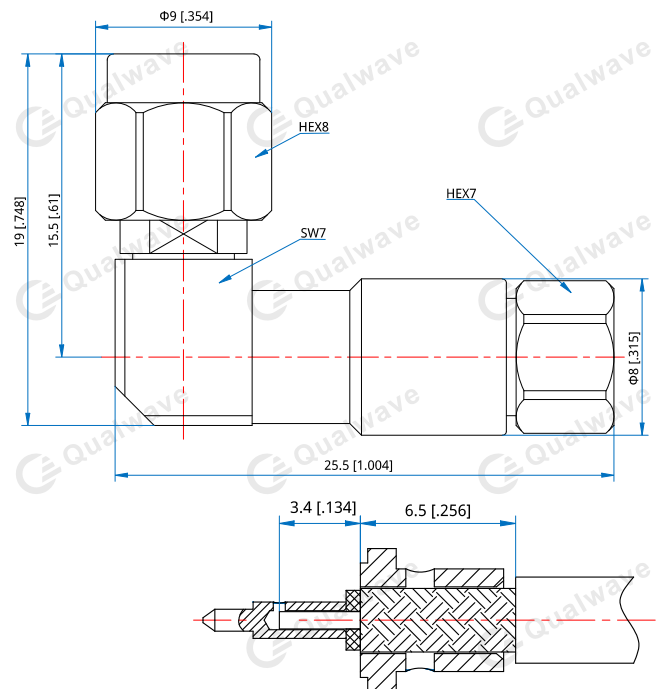
RF Connector:	SMA Male, Right Angle
Mating Cable:	QZ360
Outer Conductor:	Passivated Stainless Steel
Dielectric:	PTFE
Inner Conductor:	Gold plated brass

#### How To Orderf

**QCS-MRG-Z360-2**

Customization is available upon request.

#### Outline Drawings



Unit: mm [in]

Tolerance: ±0.5mm [±0.02in]