

QA15

1.0mm to 1.35mm

Features:
* Low VSWR

Applications:
* Wireless
* Transmitter
* Laboratory Test
* Radar

Electrical

Frequency: DC~90GHz
VSWR: 1.25 max.
Impedance: 50Ω

Mechanical

RF Connectors: 1.0mm
1.35mm
Outer Conductor: Gold plated beryllium copper
Dielectric: PEI
Inner Conductor: Gold plated beryllium copper

Environmental

Temperature: -55~+165°C

How To Order

QA15-MM - 1.0mm(m) to 1.35mm(m), Outline A

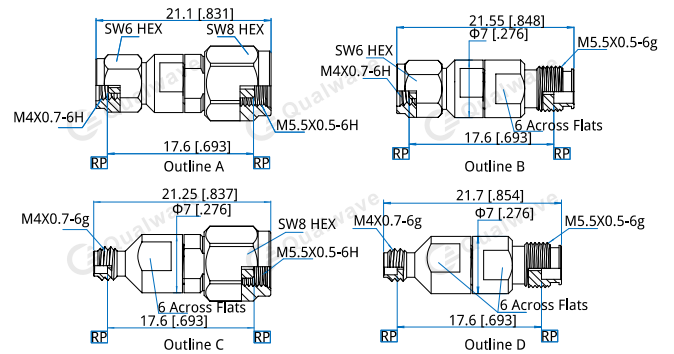
QA15-MF - 1.0mm(m) to 1.35mm(f), Outline B

QA15-FM - 1.0mm(f) to 1.35mm(m), Outline C

QA15-FF - 1.0mm(f) to 1.35mm(f), Outline D

Customization is available upon request.

Outline Drawings



Unit: mm [in]

Tolerance: ±0.2mm [±0.008in]