

# QAGG

## SSMP to SSMP

Features:  
\* Low VSWR

Applications:  
\* Wireless  
\* Transmitter  
\* Laboratory Test  
\* Radar



### Electrical

Frequency: DC~18GHz (Outline B)  
DC~30GHz (Outline D)  
DC~40GHz

VSWR: 1.3 max.  
1.35 max. (Outline D)  
1.4 max. (Outline A)

Impedance: 50Ω

### Mechanical

RF Connectors: SSMP male (Full detent)  
SSMP female

Mating Life Cycle: 500 cycles

Outer Conductor: Gold plated beryllium copper  
Dielectric: PEI  
PTFE (Outline D)

Inner Conductor: Gold plated beryllium copper

### Environmental

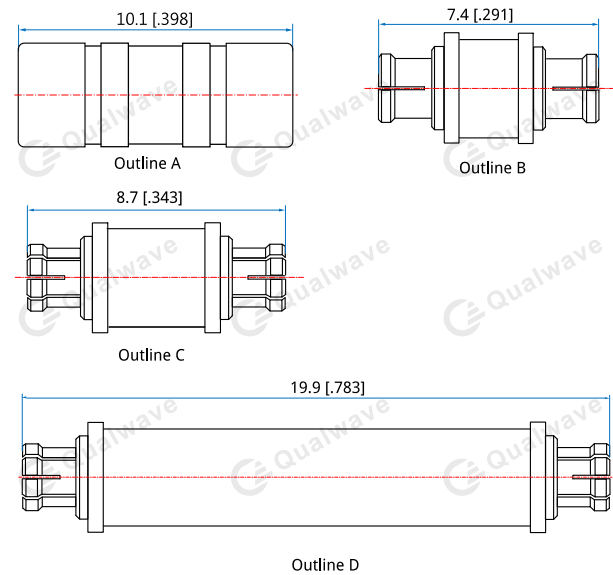
Temperature: -55~+165°C (Outline B)  
-55~+125°C

### How To Order

**QAGG-MM** - SSMP(m) to SSMP(m), Outline A  
**QAGG-FF** - SSMP(f) to SSMP(f), Outline B  
**QAGG-FF-1** - SSMP(f) to SSMP(f), Outline C  
**QAGG-FF-2** - SSMP(f) to SSMP(f), Outline D

Customization is available upon request.

### Outline Drawings



Unit: mm [in]  
Tolerance: ±0.2mm [±0.008in]