

QANQN

N to QN

Features:
* Low VSWR

Applications:
* Wireless
* Transmitter
* Laboratory Test
* Radar

Electrical

Frequency:	DC~11GHz DC~10GHz (Outline B)
VSWR:	1.15 max. @6GHz 1.3 max. @11GHz 1.25 max. (Outline B)
Dielectric Withstanding Voltage:	1000V
Impedance of Dielectric:	5000MΩ min.
Impedance:	50Ω

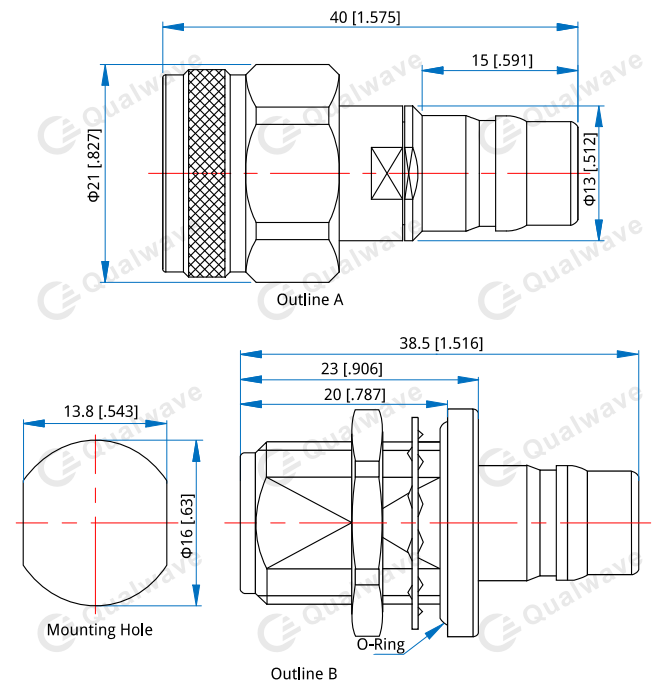
Mechanical

RF Connectors:	N QN
Mating Life Cycle:	500 cycles
Outer Conductor:	Passivated stainless steel
Dielectric:	PTFE
Inner Conductor:	Gold plated beryllium copper

Environmental

Temperature:	-55~+165°C
--------------	------------

Outline Drawings



Unit: mm [in]

Tolerance: ±0.2mm [±0.008in]

How To Order

QANQN-MF - N (m) to QN (f), Outline A

QANQNH-FF - N (f) to QN (f) bulk head, Outline B

Customization is available upon request.