

QAS7

SMA to 7/16 DIN (L29)

Features:
* Low VSWR

Applications:
* Wireless
* Transmitter
* Laboratory Test
* Radar

Electrical

Frequency:	DC~7.5GHz DC~6GHz (Outline D)
VSWR:	1.2 max. 1.3 max. (Outline D)
Inter-modulation 3rd:	-155dBc max. (Outline D)
Dielectric Withstanding Voltage:	1000V RMS, 50Hz, at sea level min. (Outline D)
Impedance of Dielectric:	5000MΩ min. (Outline D)
Impedance of Contact (Center):	1.5mΩ max. (7/16 DIN (L29)) (Outline D) 3mΩ max. (SMA) (Outline D)
Impedance of Contact (Outer):	0.4mΩ max. (7/16 DIN (L29)) (Outline D) 2mΩ max. (SMA) (Outline D)
Impedance:	50Ω

Mechanical

RF Connectors:	SMA 7/16 DIN (L29)
Mating Life Cycle:	500 cycles min.
Outer Conductor:	Ternary alloy plated brass
Dielectric:	PTFE
Inner Conductor:	Silver Plated Brass (Outline D) Silver Plated Beryllium Copper
Connection sleeve:	Nickel plated brass (Outline D)

Environmental

Temperature: -45~+125°C

How To Order

QAS7-MM - SMA(m) to 7/16 DIN (L29) (m), Outline A

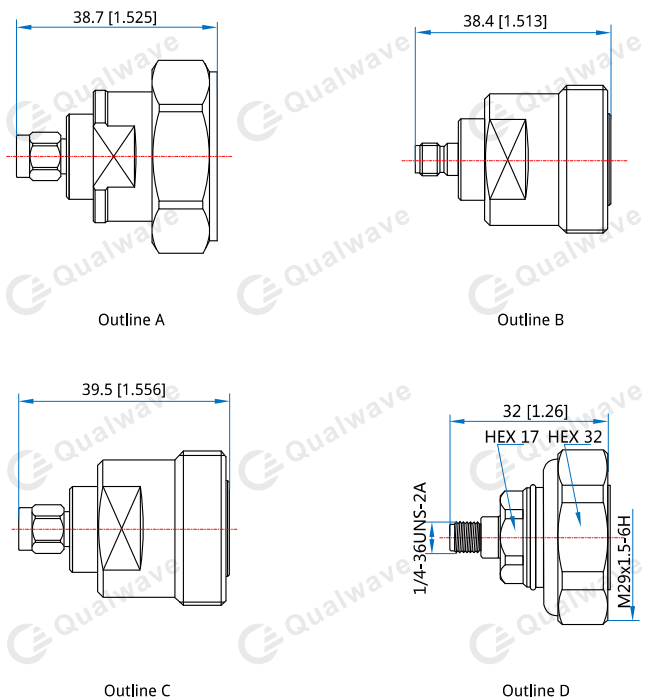
QAS7-FF - SMA(f) to 7/16 DIN (L29) (f), Outline B

QAS7-MF - SMA(m) to 7/16 DIN (L29) (f), Outline C

QAS7-FM - SMA(f) to 7/16 DIN (L29) (m), Outline D

Customization is available upon request.

Outline Drawings



Unit: mm [in]
Tolerance: ±0.2mm [±0.008in]