

QASSI

SMA to SBMA

Features:
* Low VSWR

Applications:
* Wireless
* Transmitter
* Laboratory Test
* Radar

Electrical

Frequency:	DC~26.5GHz
VSWR:	1.2 max.
Impedance of Dielectric:	5000MΩ min.
Voltage Withstand:	1000V
Impedance:	50Ω

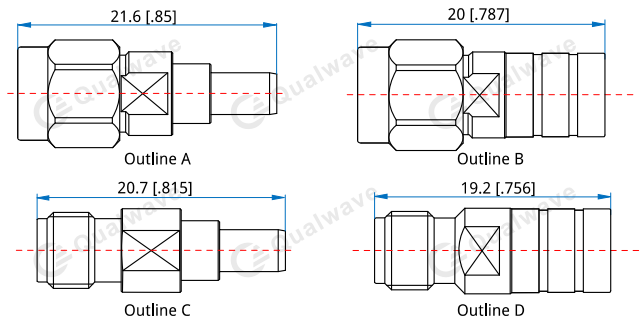
Mechanical

RF Connectors:	SMA SBMA
Mating Life Cycle:	500 cycles
Outer Conductor:	Passivated stainless steel
Dielectric:	PTFE&PEI
Inner Conductor:	Gold plated beryllium copper

Environmental

Temperature:	-55~+165°C
--------------	------------

Outline Drawings



Unit: mm [in]

Tolerance: $\pm 0.2\text{mm}$ [$\pm 0.008\text{in}$]

How To Order

QASSI-MM - SMA(m) to SBMA(m), Outline A

QASSI-MF - SMA(m) to SBMA(f), Outline B

QASSI-FM - SMA(f) to SBMA(m), Outline C

QASSI-FF - SMA(f) to SBMA(f), Outline D

Customization is available upon request.