

QCC1418C

High Power, High Isolation

Features:
 * High Power
 * High Isolation
 * Low Insertion Loss
 * Low VSWR

Applications:
 * Wireless
 * Radar
 * Laboratory Test

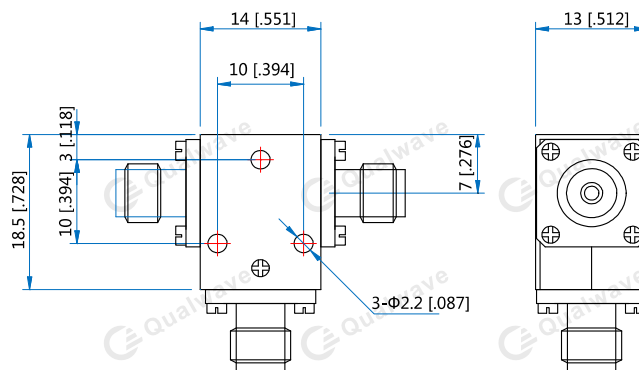
Description

QCC1418C series Coaxial Circulators cover frequency range 6~12GHz. High power, high isolation and low insertion loss make it ideal for a lot of applications like amplifiers, transceivers, etc.

Specifications

Frequency (MHz)	Bandwidth (MHz)	IL (dB Max.)	Isolation (dB Min.)	VSWR (Max.)	Average Power (W)	Connector	Temperature (°C)
6000~12000	6000	0.60	15.0	1.5	50	SMA	-40~+70

Outline Drawings



Unit: mm [inch]
 Tolerance: ±0.3mm [±0.012in]

Mechanical

Size^{*1}: 18.5*14*13mm
 0.728*0.551*0.512in
 Mounting: 3-Φ2.2mm through-hole

[1] Exclude connectors

Connector Naming Rules:

S - SMA Female

Direction Naming Rules:

1 - Clockwise
 2 - Anticlockwise

How To Order

QCC1418C-V-W-X-Y-Z

V: Start frequency in MHz
 W: Stop frequency in MHz
 X: Average power in W
 Y: Connector type
 Z: Direction type

Examples:

To order a QCC1418C series Circulator, 6000~12000MHz, 50W, SMA female, Clockwise, specify QCC1418C-6000-12000-50-S-1.

Customization is available upon request.