

# QCI1623C-5550-5750-60-10

## 5.55~5.75GHz

**Features:**

- \* Broadband
- \* High Power
- \* Low Insertion Loss

**Applications:**

- \* Wireless
- \* Radar
- \* Laboratory Test

**Electrical**

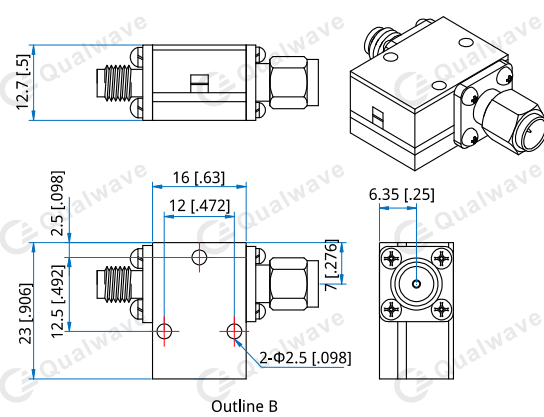
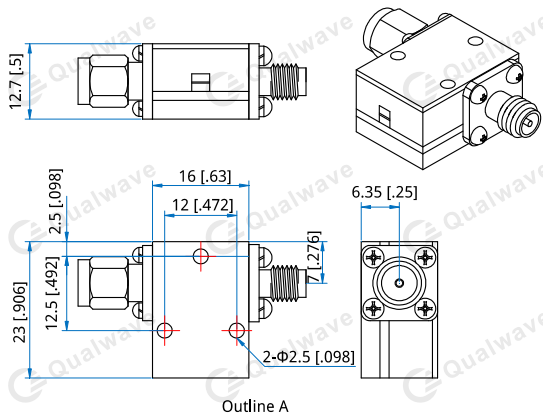
Frequency:	5.55~5.75GHz
Insertion Loss:	0.5dB max.
Isolation:	18dB min.
VSWR:	1.3 max.
Forward Power:	60W
Reverse Power:	10W

**Mechanical**

Size*1:	16*23*12.7mm
	0.63*0.906*0.512in
RF Connectors:	SMA
Mounting:	2-Φ2.5mm through-hole

[1] Exclude connectors and termination.

**Outline Drawings**



Unit: mm [in]  
Tolerance: ±0.2mm [±0.008in]

**Environmental**

Operating Temperature: -30~+75°C

**Connector Naming Rules:**

SMS - SMA Male, SMA Female (Outline A)  
SSM - SMA Female, SMA Male (Outline B)

**Direction Naming Rules:**

1 - Clockwise

**How To Order**

**QCI1623C-5550-5750-60-10-Y-Z**

Y: Connector type  
Z: Direction type

**Examples:**

To order a Coaxial Isolator, 5550~5750MHz, Forward power 60W, Reverse power 10W, SMA male, SMA female, Clockwise, specify QCI1623C-5550-5750-60-10-SMS-1.

Customization is available upon request.