

QMS2F&B

DC~3GHz, SPDT

- Features:
- * Low VSWR
 - * Low Insertion Loss
 - * High Isolation

- Applications:
- * Wireless
 - * Transmitter
 - * Laboratory Test
 - * Radar

Electrical

Frequency:	DC~3GHz
Impedance:	75Ω
Power:	1W CW
Voltage:	12V DC/50mA (Option: 24V DC)

Frequency range (GHz)	Insertion Loss (dB)	Isolation (dB)	VSWR
DC~1	0.4	60	1.4
1~2	0.5	45	1.6
2~3	0.8	35	1.7

Mechanical

Switching Sequence:	Break Before Make
Switching Time:	5mS max.
Operation Life:	1000000 Cycles
RF Connectors:	F Female, BNC Female
Power Supply & Control	Feed Through/Terminal Post
Interface Connectors:	
Mounting:	2-Φ2.6mm Through-hole

Environmental

Temperature:	-30~+75°C
--------------	-----------

How To Order

QMS2C-F-WXYZ

- C: Connector Type.
- F: Frequency in GHz.
- W: Actuator Type. Failsafe: 0.
- X: Voltage. +12V: E, +24V: K.
- Y: Power Interface. Pin: 0.

Connector naming rules:

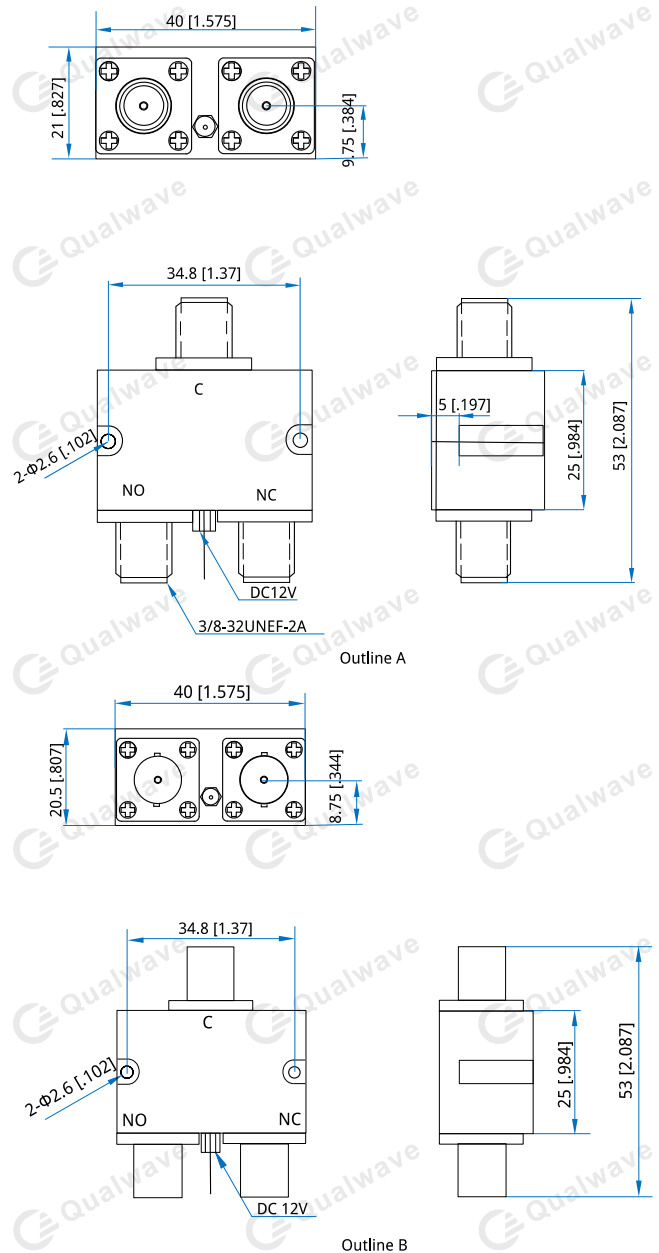
- F - F Female(Outline A)
- B - BNC Female(Outline B)

Examples:

To order a SPDT switch, F Female, DC-3GHz, Failsafe, +12V, Pin, specify QMS2F-3-0E0.

Customization is available upon request.

Outline Drawings



Unit: mm [in]
Tolerance: ±0.5mm [±0.02in]