

QCT015K

DC~1GHz, 5000W

Features:
 * Low VSWR
 * Broadband

Applications:
 * Wireless
 * Transmitter
 * Laboratory Test
 * Radar

Electrical

Frequency Range: DC~1GHz
 Average Power: 5000W
 Impedance: 50Ω
 Peak Power: 100KW (5μS pulse width, 5% duty cycle)

Frequency (GHz)	VSWR (max.)	Connectors
DC~0.7	1.4	L36, L52, 1-5/8" (IF70), 7/16 DIN Male
DC~1	1.45	7/16 DIN Female

Mechanical

Size: 905*340*930mm
 35.63*36.614*13.386in
 Weight: 110Kg
 Housing: Aluminum
 Outer Conductor: Nickel plated brass
 Male Inner Conductor: Gold plated brass
 Female Inner Conductor: Gold plated phosphor copper
 Coating: Gray paint
 Cooling: Oil cooling and air cooling

How To Order

QCT015K-X-Y

X: Frequency in GHz

Y: Connector type

Connector naming rules:

7F - 7/16 DIN Female

7 - 7/16 DIN Male

L4F - L36 Female

L4 - L36 Male

L3F - L52 Female

L3 - L52 Male

A1- 1-5/8" (IF70)

Examples:

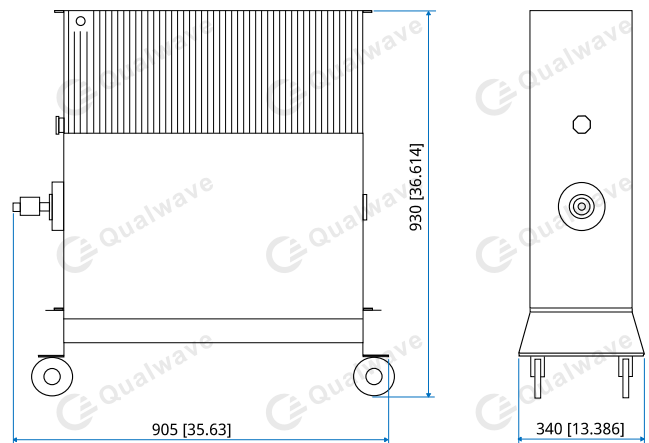
To order an termination, DC~1GHz, 7/16 DIN female, specify QCT015K-1-7F.

Customization is available upon request.

Environmental

Temperature: -40~+45°C

Outline Drawings



Unit: mm [in]

Tolerance: ±3%

Expain:

Replace the hexagon nut with the exhaust valve before startup, and replace the exhaust valve with the hexagon nut during transportation.