

QCT042K

DC~4GHz, 2000W

Features:
 * Low VSWR
 * Broadband

Applications:
 * Wireless
 * Transmitter
 * Laboratory Test
 * Radar

Electrical

Frequency Range:	DC~4GHz
Average Power ^{*1} :	2000W@25°C
VSWR:	1.75max.
Impedance:	50Ω
Peak Power:	10KW (5μS pulse width, 10% duty cycle)

[1] Derated linearly to 200W@125°C.

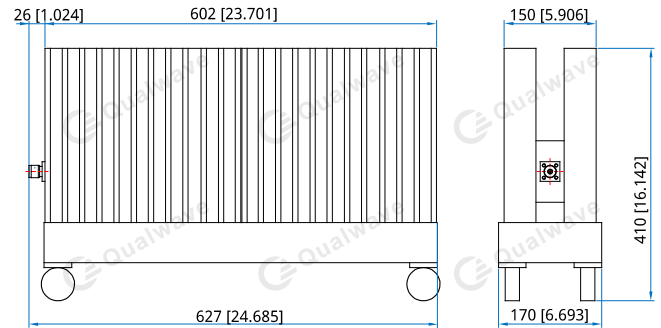
Mechanical

Size:	627*170*410mm 24.685*6.693*16.142in
Weight:	34Kg
RF Connectors:	N, 7/16 DIN
Housing:	Aluminum
Outer Conductor:	Nickel plated brass
Male Inner Conductor:	Gold plated brass
Female Inner Conductor:	Gold plated beryllium copper

Environmental

Temperature:	-55~+125°C
--------------	------------

Outline Drawings



Unit: mm [in]
 Tolerance: ±3%

How To Order

QCT042K-X-Y

X: Frequency in GHz

Y: Connector type

Connector naming rules:

NF - N Female

N - N Male

7F - 7/16 DIN Female

7 - 7/16 DIN Male

Examples:

To order an termination, DC-4GHz, N female, specify

QCT042K-4-NF.