

# QCT40R5

## DC~40GHz, 0.5W

Features:  
 \* Low VSWR  
 \* Broadband

Applications:  
 \* Transmitters  
 \* Antennas  
 \* Laboratory Test  
 \* Impedance Matching

### Electrical

Frequency Range: DC~40GHz  
 Average Power: 0.5W  
 Impedance: 50Ω

### VSWR

| Frequency (GHz) | 2.92mm | SSMA | SMP | SSMP |
|-----------------|--------|------|-----|------|
| DC~18           | 1.25   | 1.3  | 1.2 | 1.2  |
| DC~26.5         | 1.25   | 1.3  | 1.3 | 1.3  |
| DC~40           | 1.25   | 1.3  | 1.4 | 1.5  |

### Mechanical

Connectors: 2.92mm, SSMA, SMP, SSMP

### Environmental

Temperature: -55~+125°C

### How To Order

#### QCT40R5-X-Y

X: Frequency in GHz

Y: Connector type

Connector naming rules:

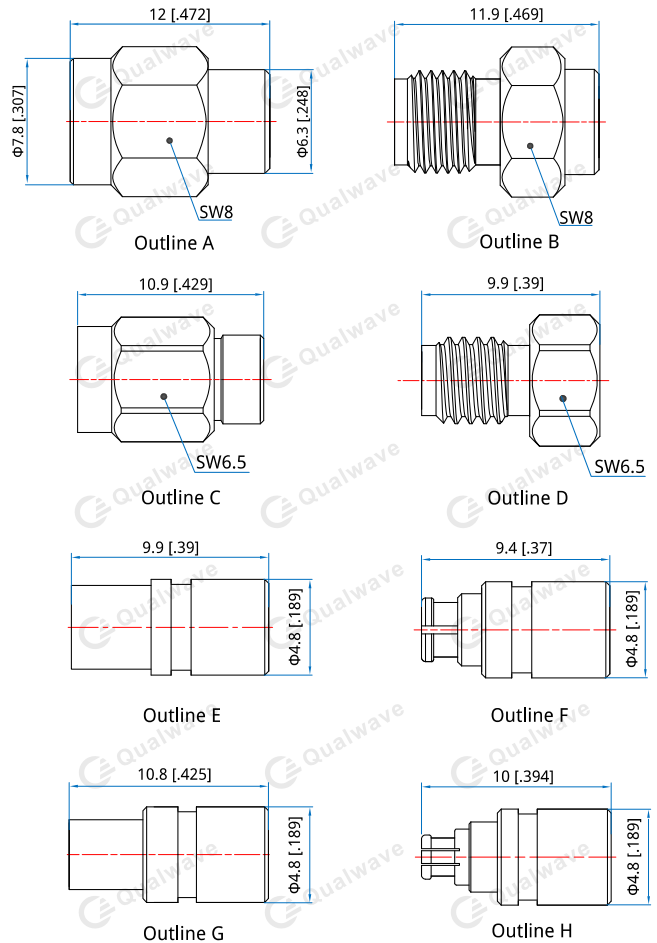
- K - 2.92mm male (Outline A)
- KF - 2.92mm female (Outline B)
- A - SSMA male (Outline C)
- AF - SSMA female (Outline D)
- P - SMP male (Outline E)
- PF - SMP female (Outline F)
- G - SSMP male (Outline G)
- GF - SSMP female (Outline H)

Examples:

To order a termination, DC-40GHz, 2.92mm male, specify QCT40R5-40-K.

Customization is available upon request.

### Outline Drawings



Unit: mm [in]  
 Tolerance: ±0.2mm [±0.008in]