

# QCT5005

## DC~50GHz, 5W

Features:  
 \* Low VSWR  
 \* Broadband

Applications:  
 \* Transmitters  
 \* Antennas  
 \* Laboratory Test  
 \* Impedance Matching

### Electrical

Frequency Range:	DC~50GHz
Average Power <sup>*1</sup> :	5W@25°C max.
Impedance:	50Ω
VSWR:	1.3 max.
Peak Power:	20W (5μS pulse width, 2.5% duty cycle)

[1] Derated linearly to 0.5W@125°C.

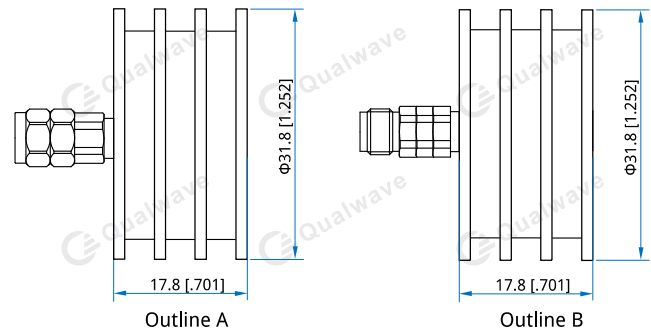
### Mechanical

Connector:	2.4mm
Housing:	Aluminum
Outer Conductor:	Stainless steel
Dielectric:	PEI
Male Inner Conductor:	Gold plated brass
Female Inner Conductor:	Gold plated beryllium copper

### Environmental

Temperature:	-55~+125°C
--------------	------------

### Outline Drawings



Unit: mm [in]  
 Tolerance: ±0.5mm [±0.02in]

### How To Order

#### QCT5005-X-Y

X: Frequency in GHz

Y: Connector type

Connector naming rules:

2 - 2.4mm male (Outline A)

2F - 2.4mm female (Outline B)

Examples:

To order a termination, DC~50GHz, 2.4mm male, specify QCT5005-50-2.

Customization is available upon request.