

QCT5020

DC~50GHz, 20W

Features:

- * Low VSWR
- * High Attenuation Flatness

Applications:

- * Wireless
- * Transmitter
- * Laboratory Test
- * Radar

Electrical

Frequency:	DC~50GHz
VSWR:	1.4 max.
Impedance:	50Ω
Average Power ^{*1} :	20W@25°C max.
Peak Power:	200W (max. 5μS pulse width, max. 10% duty cycle)

[1] Derated linearly to 2W@125°C.

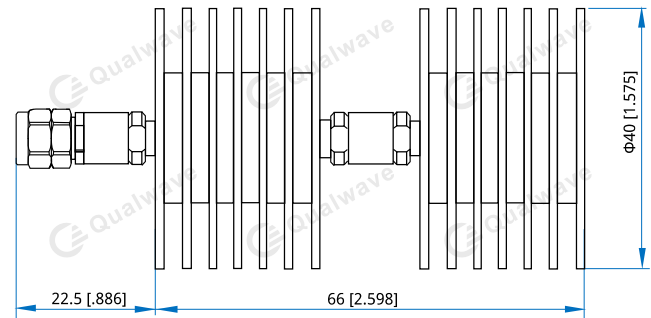
Mechanical

Size ^{*2} :	66*Φ40mm 2.598*Φ1.575in
RF Connectors:	2.4mm
Connector Housing:	Passivated stainless steel
Heat Sinks Housing:	Aluminum black anodize
Dielectric:	PEI
Male Inner Conductor:	Gold plated brass
Female Inner Conductor:	Gold plated beryllium copper

[2] Exclude connectors.

Environmental

Operating Temperature:	-55~125°C
Non-Operating Temperature:	-55~125°C

Outline Drawings


Outline A

Unit: mm [in]

Tolerance: ±2%

How To Order
QCT5020-X-Y

X: Frequency in GHz

Y: Connector type

Connector naming rules:

2 - 2.4mm male (Outline A)

2F - 2.4mm female

Examples:

To order a termination, DC-50GHz, 2.4mm male, specify QCT5020-50-2.

Customization is available upon request.