

## QDB-0.05-110000

50KHz~110GHz

Features:  
 \* Broadband  
 \* Low VSWR

Applications:  
 \* Telecom  
 \* Instrumentation  
 \* Laboratory Test  
 \* Radar

### Electrical

Frequency Range:	50KHz~110GHz
Insertion Loss:	2.5dB max.
VSWR:	1.9 max.
Voltage:	10V max.
Power:	+27dBm max.
Impedance:	50Ω

### Absolute Maximum Ratings\*<sup>1</sup>

RF Input Power:	+27dBm
Voltage:	+10V

[1] Permanent damage may occur if any of these limits are exceeded.

### Mechanical

Connectors:	1.0mm
Housing:	Gold plated copper
Type:	Inner

### Environmental

Operating Temperature:	-40~+70°C
Non-operating Temperature:	-65~+150°C

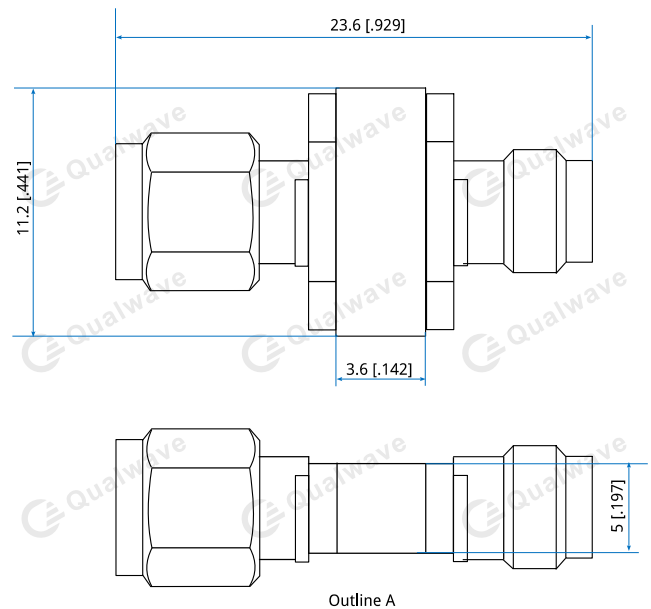
### How To Order

**QDB-0.05-110000-11F** - 1.0mm male, 1.0mm female, Outline A

**QDB-0.05-110000-1F1F** - 1.0mm female, 1.0mm female

Customization is available upon request.

### Outline Drawings



Unit: mm [in]  
 Tolerance: ±0.2mm [±0.008in]