

## QDB-10-67000-VVF

0.01~67GHz

Features:  
 \* Broadband  
 \* Low VSWR

Applications:  
 \* Telecom  
 \* Instrumentation  
 \* Laboratory Test  
 \* Radar

### Electrical

Frequency:	0.01~67GHz
VSWR:	1.5 max.
Insertion Loss:	0.9dB max.
Voltage:	50V DC max.
Impedance:	50Ω

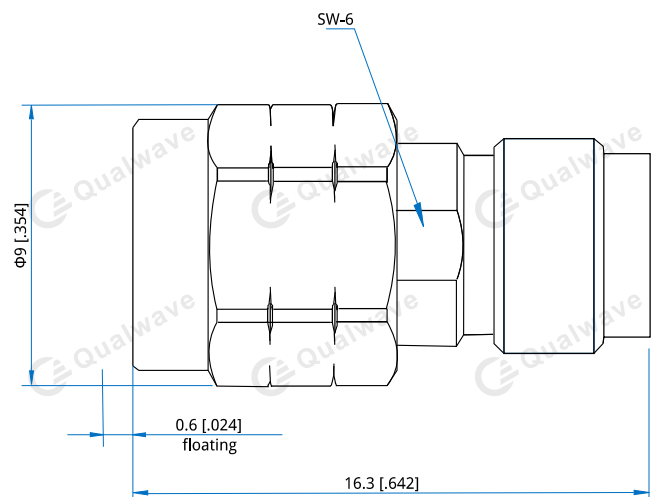
### Mechanical

Length:	16.3mm 0.642in
Connector:	1.85mm Male 1.85mm Female
Outer Conductor:	Passivated stainless steel
Dielectric:	PEI
Inner Conductor:	Gold plated beryllium copper (Female) Gold plated brass (Male)
Type:	Inner

### Environmental

Temperature:	-55~+100°C
--------------	------------

### Outline Drawings



Unit: mm [in]

Tolerance: ±0.2mm [±0.008in]

### How To Order

**QDB-10-67000-VVF**

Customization is available upon request.