

# QDB-9K-18000

## 9KHz~18GHz

Features:  
 \* Broadband  
 \* Low VSWR

Applications:  
 \* Telecom  
 \* Instrumentation  
 \* Laboratory Test  
 \* Radar



### Electrical

Frequency Range: 9KHz~18GHz  
 Impedance: 50Ω  
 Voltage: 50V max.

### Mechanical

Connectors: SMP, SSMP, SSMA, SMA, N, TNC  
 Mating Life Cycle: 500 cycles  
 Type: Inner

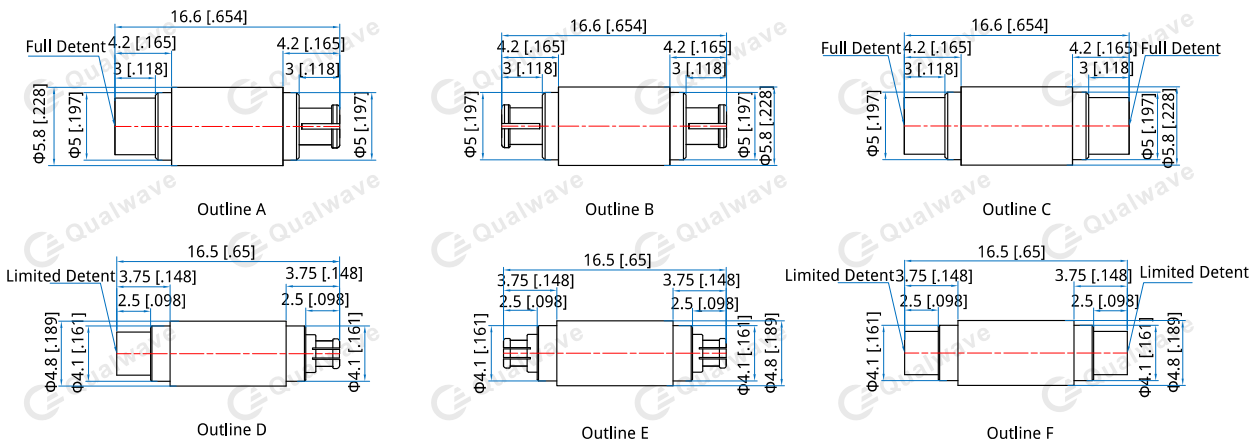
### Environmental

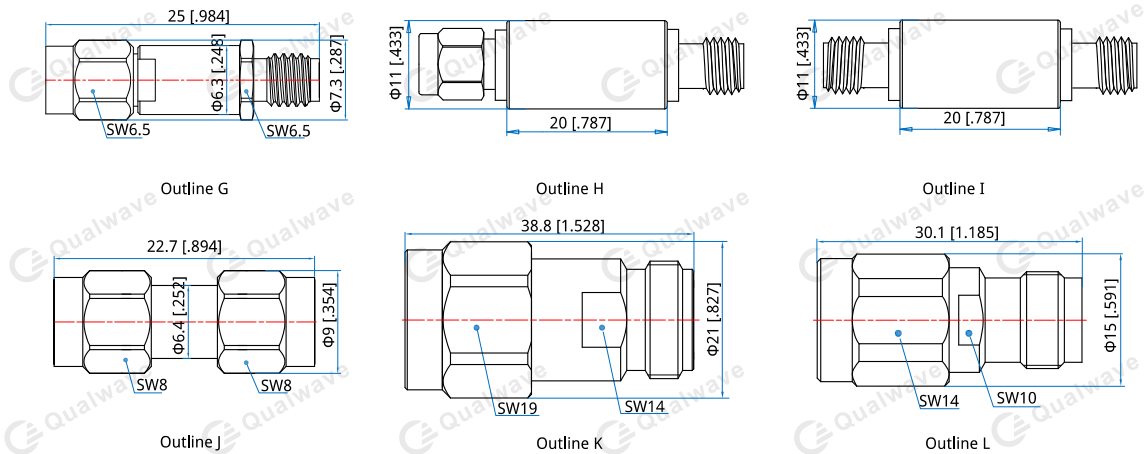
Operating Temperature: -55~+125°C

Connectors	Insertion Loss (dB max.)	VSWR (max.)	Detent mode (only male)	Outer Conductors	Dielectric	Inner Conductors
SMP	0.60	1.35	Full Detent	Passivated stainless steel&Gold plated beryllium copper&Gold plated brass	PTFE	Gold plated beryllium copper&Gold plated brass
SSMP*1	0.60	1.35	Limited Detent	Passivated stainless steel&Gold plated beryllium copper&Gold plated brass	PTFE	Gold plated beryllium copper&Gold plated brass
SSMA	0.60	1.35	-	Passivated stainless steel&Gold plated beryllium copper&Gold plated brass	PTFE	Gold plated beryllium copper&Gold plated brass
SMA	0.60	1.30	-	Passivated stainless steel	PTFE	Gold plated beryllium copper&Gold plated brass
N	0.70	1.35	-	Nickel Plated Brass	PTFE	Gold plated beryllium copper&Gold plated brass
TNC	0.70	1.35	-	Nickel Plated Brass	PTFE	Gold plated beryllium copper&Gold plated brass

[1] Mateable with GPPO, SMPM & Mini-SMP.

### Outline Drawings





Unit: mm [in]  
Tolerance: ±0.4mm [±0.016in]

### How To Order

- QDB-9K-18000-PPF** - SMP male, SMP female, Outline A
- QDB-9K-18000-PPPF** - SMP female, SMP female, Outline B
- QDB-9K-18000-PP** - SMP male, SMP male, Outline C
- QDB-9K-18000-GGF** - SSMP male, SSMP female, Outline D
- QDB-9K-18000-GFGF** - SSMP female, SSMP female, Outline E
- QDB-9K-18000-GG** - SSMP male, SSMP male, Outline F
- QDB-9K-18000-AAF** - SSMA male, SSMA female, Outline G
- QDB-9K-18000-SSF** - SMA male, SMA female, Outline H
- QDB-9K-18000-SFSF** - SMA female, SMA female, Outline I
- QDB-9K-18000-SS** - SMA male, SMA male, Outline J
- QDB-9K-18000-NNF** - N male, N female, Outline K
- QDB-9K-18000-TTF** - TNC male, TNC female, Outline L

Customization is available upon request.

### Typical Performance Curves

#### QDB-9K-18000-SFSF

