

## QDA-0-18000-30-10

DC~18GHz, 30dB, 10dB

**Features:**

- \* Low VSWR
- \* High Attenuation Flatness

**Applications:**

- \* Wireless
- \* Transmitter
- \* Laboratory Test
- \* Radar

**Electrical**

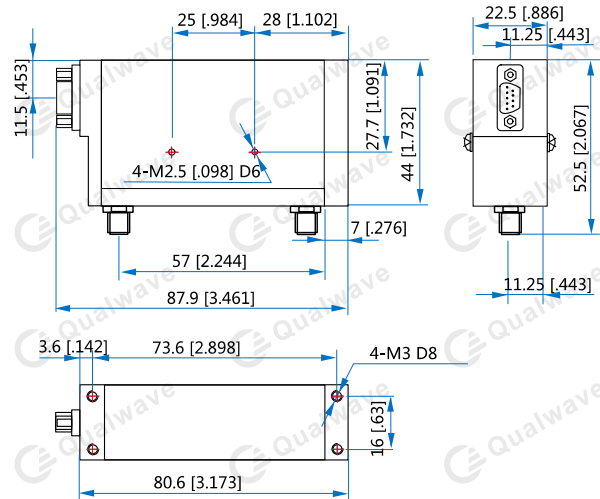
Frequency:	DC~18GHz
Attenuation Range:	0~30dB
Step:	10dB
Insertion Loss:	1.9dB max.
Average Power:	+30dBm
Peak Power:	100W (1 $\mu$ S pulse width, 1% duty cycle)
Impedance:	50 $\Omega$
Repeatability:	0.2dB

**Mechanical**

Size:	87.9*52.5*22.5mm 3.461*2.067*0.886in
Operation Life:	1M Cycles
RF Connectors:	SMA Female
Power Supply & Control Interface Connectors:	J30J-9ZKP

**Environmental**

Operating Temperature:	-20~+70°C
Non-operating Temperature:	-55~+85°C

**Outline Drawings**


Unit: mm [in]

 Tolerance:  $\pm 2$ mm [ $\pm 0.08$ in]

**How To Order**

[QDA-0-18000-30-10](#)

Customization is available upon request.

**Attenuation Accuracy and VSWR**

Frequency (GHz)	Attenuation Accuracy ( $\pm$ dB) vs. Attenuation (dB)			VSWR (max.)
	10	20	30	
DC~4	$\pm 0.5$	$\pm 0.8$	$\pm 1.0$	1.3
4~12.4	$\pm 0.5$	$\pm 0.8$	$\pm 1.0$	1.4
12.4~18	$\pm 0.5$	$\pm 0.9$	$\pm 1.3$	1.5