

QDDC7038X

High Power, High Isolation

- Features:**
- * High Power
 - * High Isolation
 - * Low Insertion Loss
 - * Low VSWR

- Applications:**
- * Wireless
 - * Radar
 - * Laboratory Test

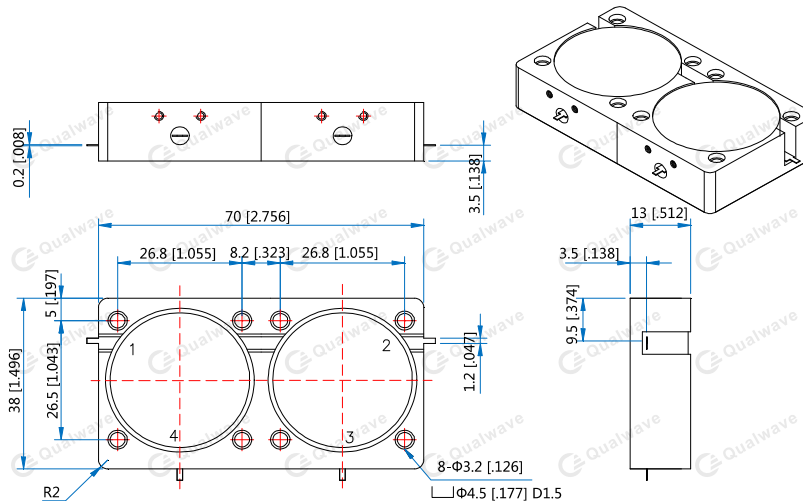
Description

QDDC7038X series Drop-In Circulators cover frequency range 1.1~1.7GHz. High power, high isolation and low insertion loss make it ideal for a lot of applications like amplifiers, transceivers, etc.

Specifications

Frequency (MHz)	Bandwidth (MHz)	Insertion Loss (dB Max.)	Isolation (dB Min.)	VSWR (Max.)	Average Power (W)	Temperature (°C)
1100~1700	600	0.60@2-3/4-1	10@3-2/1-4	1.50	100	0~+60
		1.20@1-2/3-4	28@2-1/4-3			

Outline Drawings



Unit: mm [inch] Tolerance: ±0.2mm [±0.008in]

Mechanical

- Size*1: 70*38*13mm
2.756*1.496*0.512in
- Connector Type: Strip line
- Mounting: 8-Φ3.2mm through-hole

[1] Exclude connectors

Direction Naming Rules:

- 1 - Clockwise
- 2 - Anticlockwise

How To Order

QDDC7038X-W-X-Y-Z

- W: Start frequency in MHz
- X: Stop frequency in MHz
- Y: Average Power in W
- Z: Direction type

Examples:

To order a QDDC7038X series Circulator, 1100~1700MHz, 100W, Clockwise, specify QDDC7038X-1100-1700-K1-1.

Customization is available upon request.