

## QDDC-2000-67000-12-10-V

2~67GHz, 12W, 10dB

Features:  
 \* Broadband  
 \* Low Insertion Loss

Applications:  
 \* Amplifiers  
 \* Transmitter  
 \* Laboratory Test  
 \* Radar

### Electrical

Frequency:	2~67GHz
Coupling:	10±1.4dB max.
Coupling Flatness:	±1.4dB max.
VSWR (Mainline):	2 max.
VSWR (Coupling):	2 max.
Insertion Loss:	4.3dB max.
Directivity:	8dB min.
Power <sup>*1</sup> :	12W CW max.
Peak Power:	1000W max.
Impedance:	50Ω

[1] The power needs to meet the matching VSWR not exceeding 1.2.

### Mechanical

Size <sup>*2</sup> :	90*12.7*15.9mm 3.543*0.5*0.626in
RF Connectors:	1.85mm Female
Coupling Connectors:	1.85mm Female
Mounting:	4-M2.5*5

[2] Exclude connectors.

### How To Order

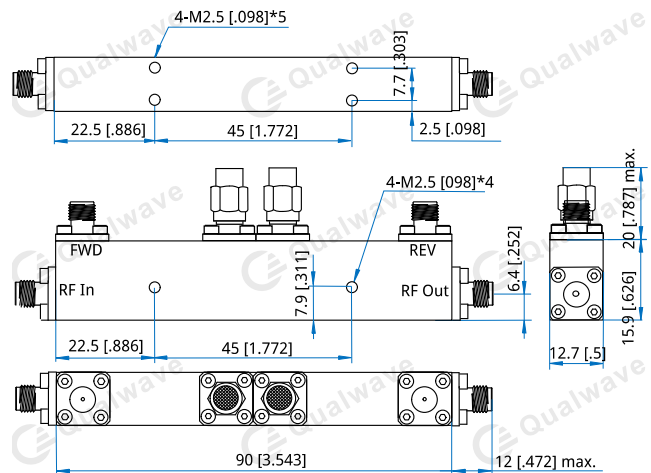
[QDDC-2000-67000-12-10-V](#)

Customization is available upon request.

### Environmental

Operation Temperature:	-55~+85°C
Non-operation Temperature:	-55~+100°C

### Outline Drawings



Unit: mm [in]

Tolerance: x.±1mm [±0.039in], .x±0.5mm [±0.02in], .xx±0.1mm [±0.004in]