

QE-0-3000-S-1

DC~3GHz, 1dB

Features:
 * Low VSWR
 * Small Size

Applications:
 * Amplifier
 * Laboratory Test
 * Instrumentation

Electrical

Frequency: DC~3GHz
 Insertion Loss: 1.5dB typ.
 VSWR: 1.04 typ.
 Slope: 1dB

Mechanical

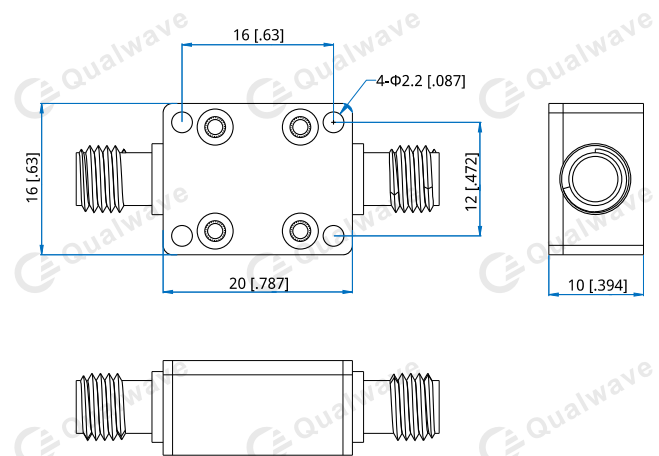
Size^{*1}: 16*20*10mm
 0.63*0.787*0.394in
 Connectors: SMA Female
 Mounting: 4- Φ 2.2mm through-hole

[1] Exclude connectors.

Environmental

Operating Temperature: -40~+85°C

Outline Drawings



Unit: mm [in]

Tolerance: \pm 0.2mm [\pm 0.008in]

How To Order

QE-0-3000-S-1

Customization is available upon request.