

QC3-FYG-S23-01

3.5mm Connector, DC~33GHz

Features:
* Low VSWR

Applications:
* Wireless
* Radar
* Instruments
* Electronics

Electrical

Frequency: DC~33GHz
VSWR: 1.15 max.
Impedance: 50Ω

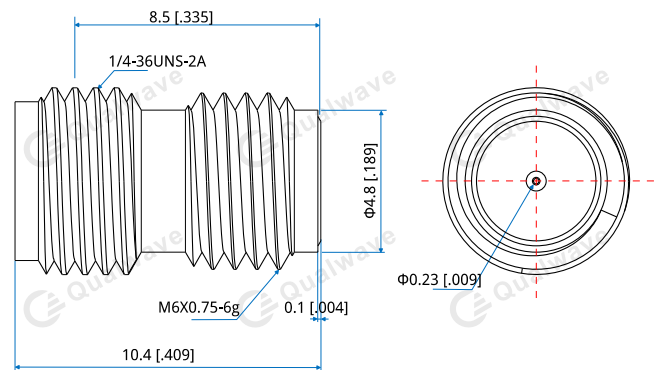
Mechanical

RF Connector: 3.5mm female
Mating Life Cycle: 500 cycles
Outer Conductor: SUS303 stainless steel
Inner Conductor: Gold plated beryllium copper
Dielectric: PEI
Accept PIN: Φ0.23mm

Environmental

Temperature: -55~+165°C

Outline Drawings



Unit: mm [in]
Tolerance: ±0.5mm [±0.02in]

How To Order

QC3-FYG-S23-01

Customization is available upon request.