

## QLAS-0.1-40000-40-30

0.1MHz~40GHz, 40dB, 3.0dB

Features:  
 \* Broadband  
 \* Low Noise

Applications:  
 \* Wireless  
 \* Receiver  
 \* Laboratory Test  
 \* Radar



### Electrical

Frequency:	0.1MHz~40GHz
Gain:	40dB min.
Gain Flatness:	±2dB typ.
Output Power (P1dB):	13dBm typ.
Noise Figure:	3.0dB typ.
Spurious:	-60dBc typ.
VSWR:	1.8 typ.
Voltage:	+85~+265V AC
Impedance:	50Ω

### Absolute Maximum Ratings\*1

RF Input Power: +18dBm

[1] Permanent damage may occur if any of these limits are exceeded.

### Mechanical

Size\*2: 136\*186\*52mm  
 5.354\*7.323\*2.047in

RF Connectors: 2.92mm Female

[2] Exclude connectors, rack mount brackets, handles.

### Environmental

Operating Temperature: -20~+50°C

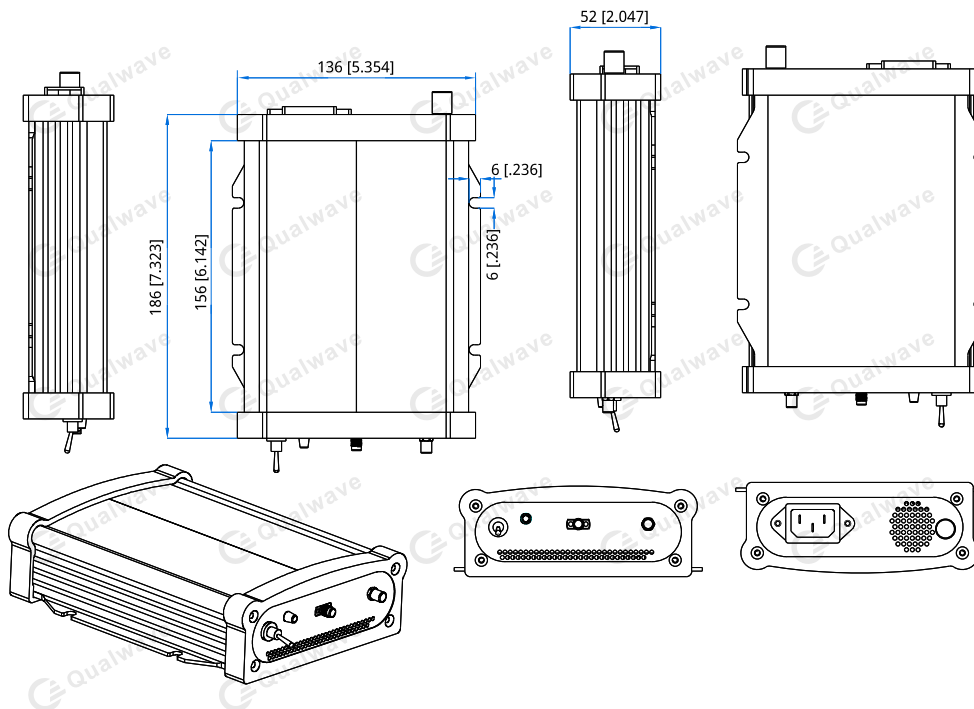
Non-operating Temperature: -40~+85°C

### How To Order

[QLAS-0.1-40000-40-30](#)

Customization is available upon request.

### Outline Drawings



Unit: mm [in]

Tolerance: ±0.2mm [±0.008in]