

# QLAS-100-18000-15-30

0.1~18GHz, 15dB, 3.0dB

**Features:**

- \* Broadband
- \* Low Noise

**Applications:**

- \* Wireless
- \* Receiver
- \* Laboratory Test
- \* Radar



## Electrical

Frequency:	0.1~18GHz
Small Signal Gain:	15dB typ.
Gain Flatness:	±1dB typ.
Output Power (P1dB):	18dBm typ.
Noise Figure:	3.0dB typ.
Spurious:	-60dBc max.
VSWR:	1.6 typ.
Voltage:	+85~+265V AC
Impedance:	50Ω

## Absolute Maximum Ratings\*1

RF Input Power: +20dBm

[1] Permanent damage may occur if any of these limits are exceeded.

## Mechanical

Size\*2: 136\*186\*52mm  
5.354\*7.323\*2.047in

RF Connectors: SMA Female

[2] Exclude connectors, rack mount brackets, handles.

## Environmental

Operating Temperature: -20~+50°C

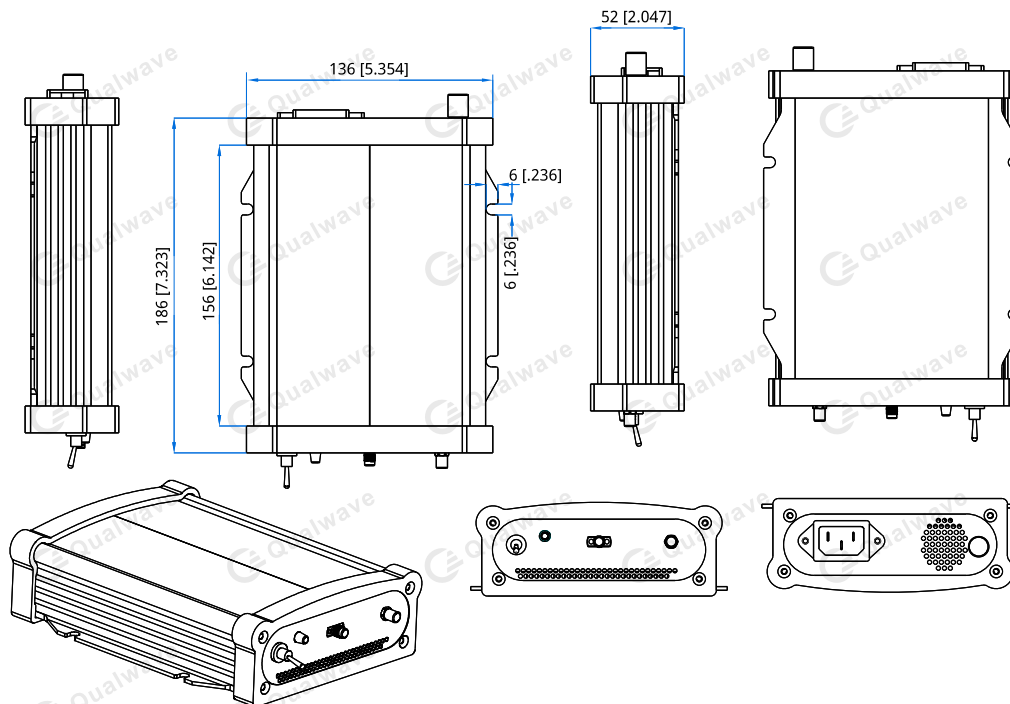
Non-operating Temperature: -40~+85°C

## How To Order

**QLAS-100-18000-15-30**

Customization is available upon request.

## Outline Drawings



Unit: mm [in]

Tolerance: ±0.2mm [±0.008in]