

QLAS-2000-8000-38-11

2~8GHz, 38dB, 1.1dB

Features:
 * Broadband
 * Low Noise

Applications:
 * Wireless
 * Receiver
 * Laboratory Test
 * Radar



Electrical

| | |
|----------------------|--------------|
| Frequency: | 2~8GHz |
| Gain: | 38dB typ. |
| Gain Flatness: | ±1dB typ. |
| Output Power (P1dB): | 18dBm min. |
| Noise Figure: | 1.1dB typ. |
| Spurious: | -60dBc max. |
| VSWR: | 1.6 typ. |
| Voltage: | +85~+265V AC |
| Current: | 200mA typ. |
| Impedance: | 50Ω |

Mechanical

| | |
|----------------|-------------------------------------|
| Size*2: | 136*186*52mm 5.354*7.323*2.047in |
| RF Connectors: | SMA Female |

[2] Exclude connectors, rack mount brackets, handles.

Environmental

| | |
|----------------------------|-----------|
| Operating Temperature: | -20~+50°C |
| Non-operating Temperature: | -40~+85°C |

How To Order

QLAS-2000-8000-38-11

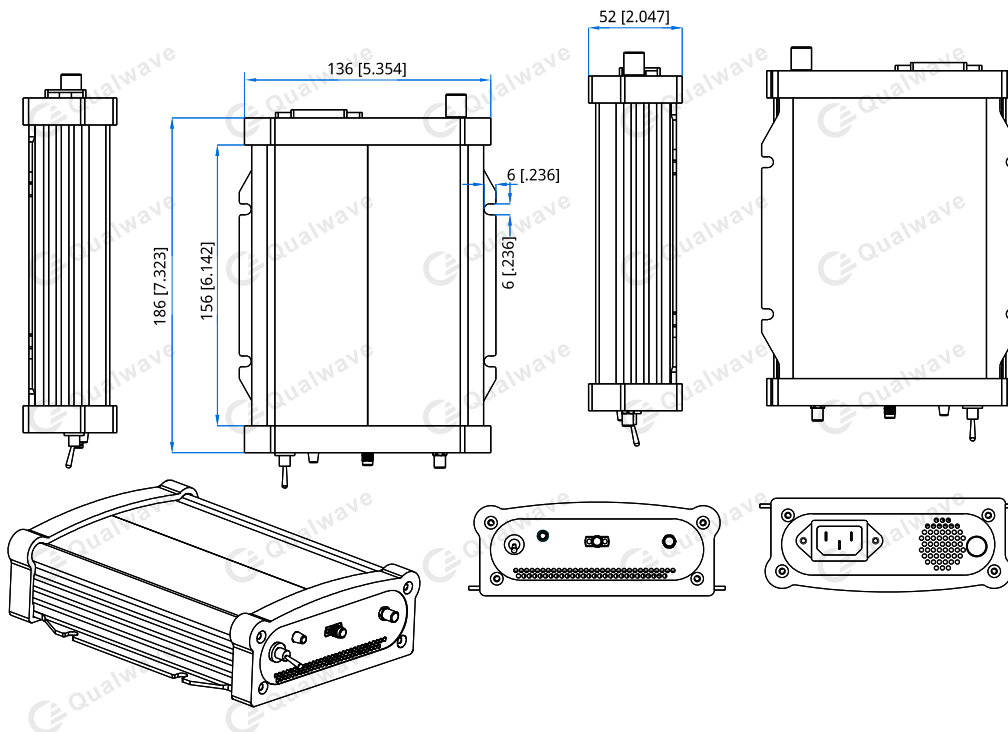
Customization is available upon request.

Absolute Maximum Ratings*1

RF Input Power: +20dBm

[1] Permanent damage may occur if any of these limits are exceeded.

Outline Drawings



Unit: mm [in]

Tolerance: ±0.5mm [±0.02in]